

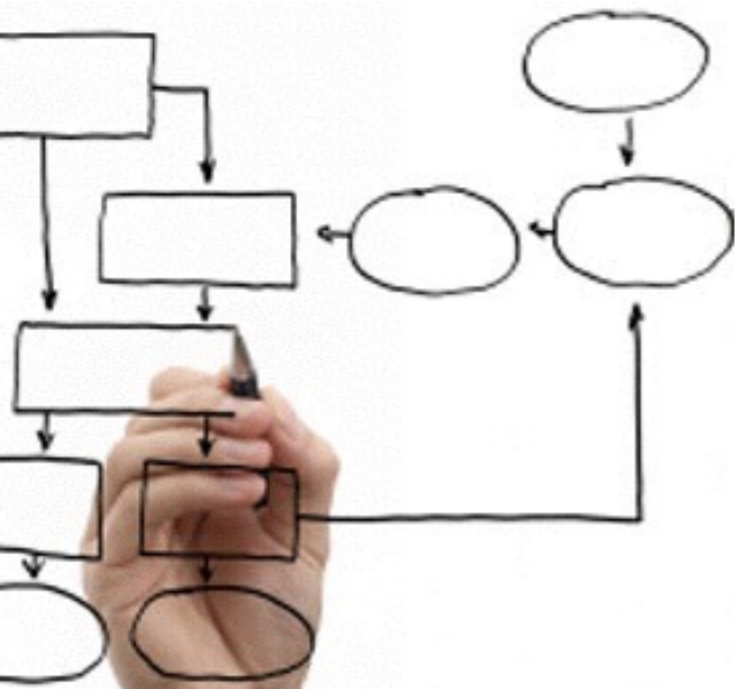
Methods for the specification and verification of business processes

MPB (6 cfu, 295AA)

Roberto Bruni

<http://www.di.unipi.it/~bruni>

18 - Diagnosis for WF nets



Object



We study suitable diagnosis techniques
for unsound Workflow nets

Diagnosing workflow processes using Woflan (article, optional reading)
<http://wwwis.win.tue.nl/~wvdaalst/publications/p135.pdf>

Some Pragmatic Considerations

We know that, for free-choice nets, liveness and boundedness can be decided efficiently (in polynomial time)

but we want to check soundness for a wider range of nets

Moreover, when a process is not sound, some diagnostic can be generated that indicates why it is flawed

Woflan

(now a ProM plugin)

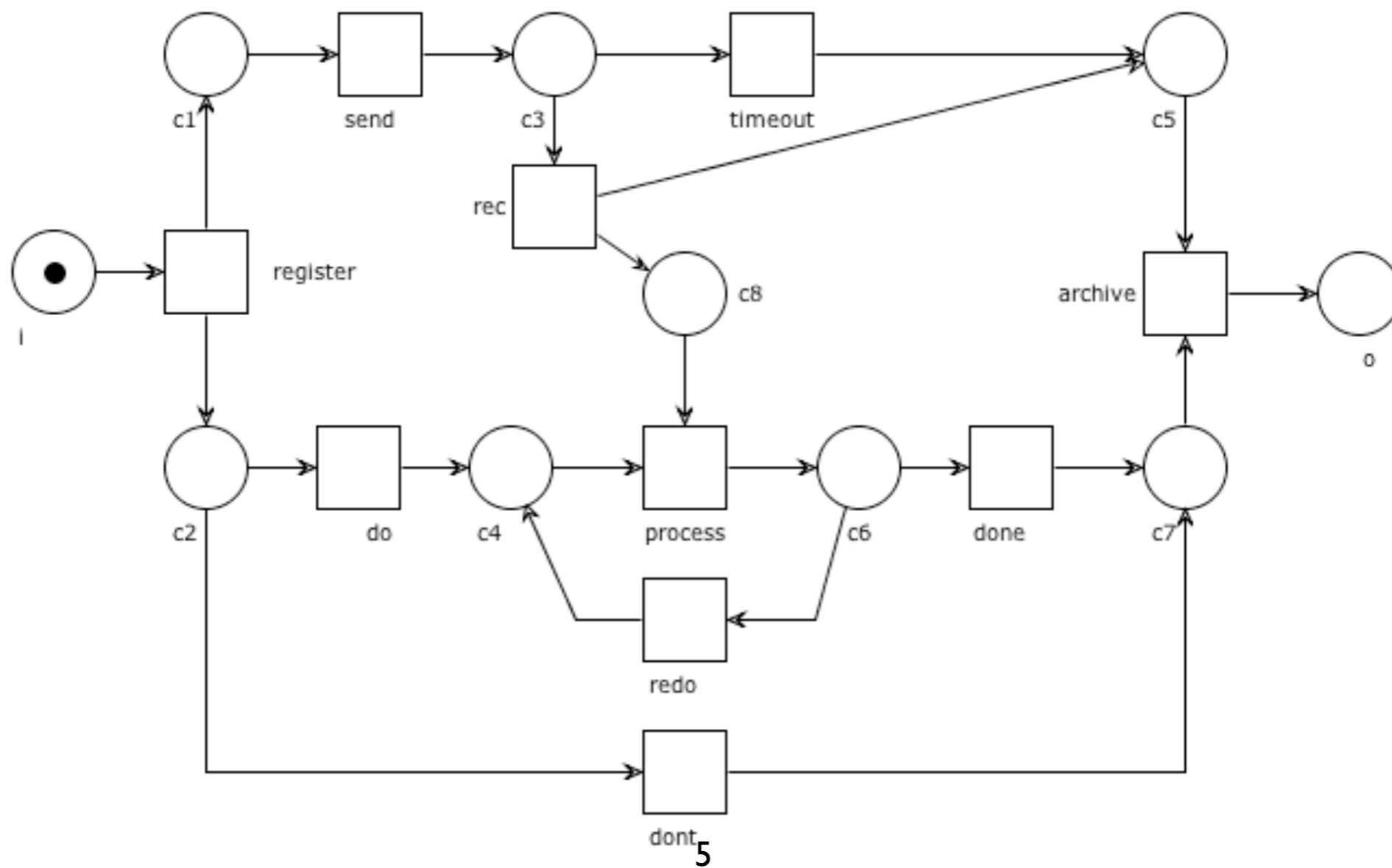


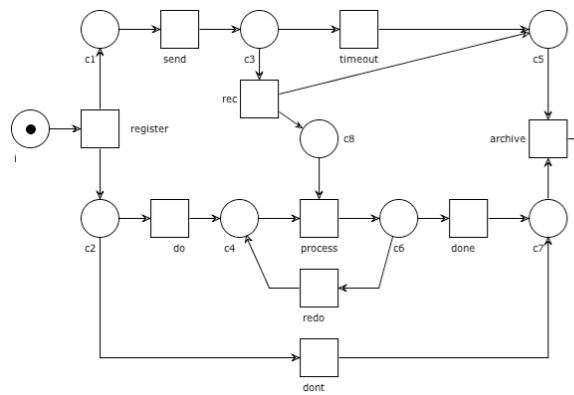
WOrkFLow ANalyzer (Windows only)

<http://www.win.tue.nl/woflan/>

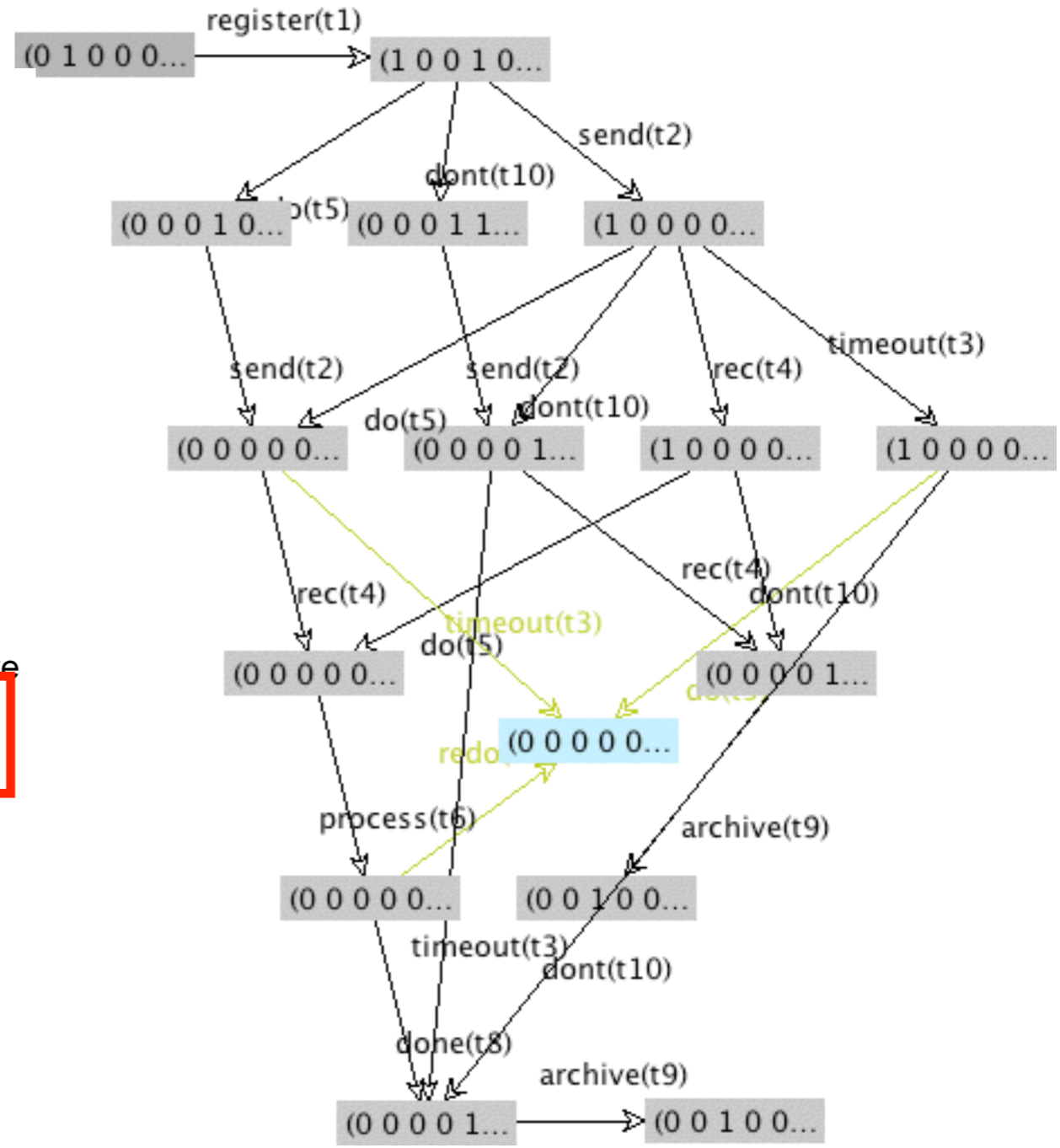
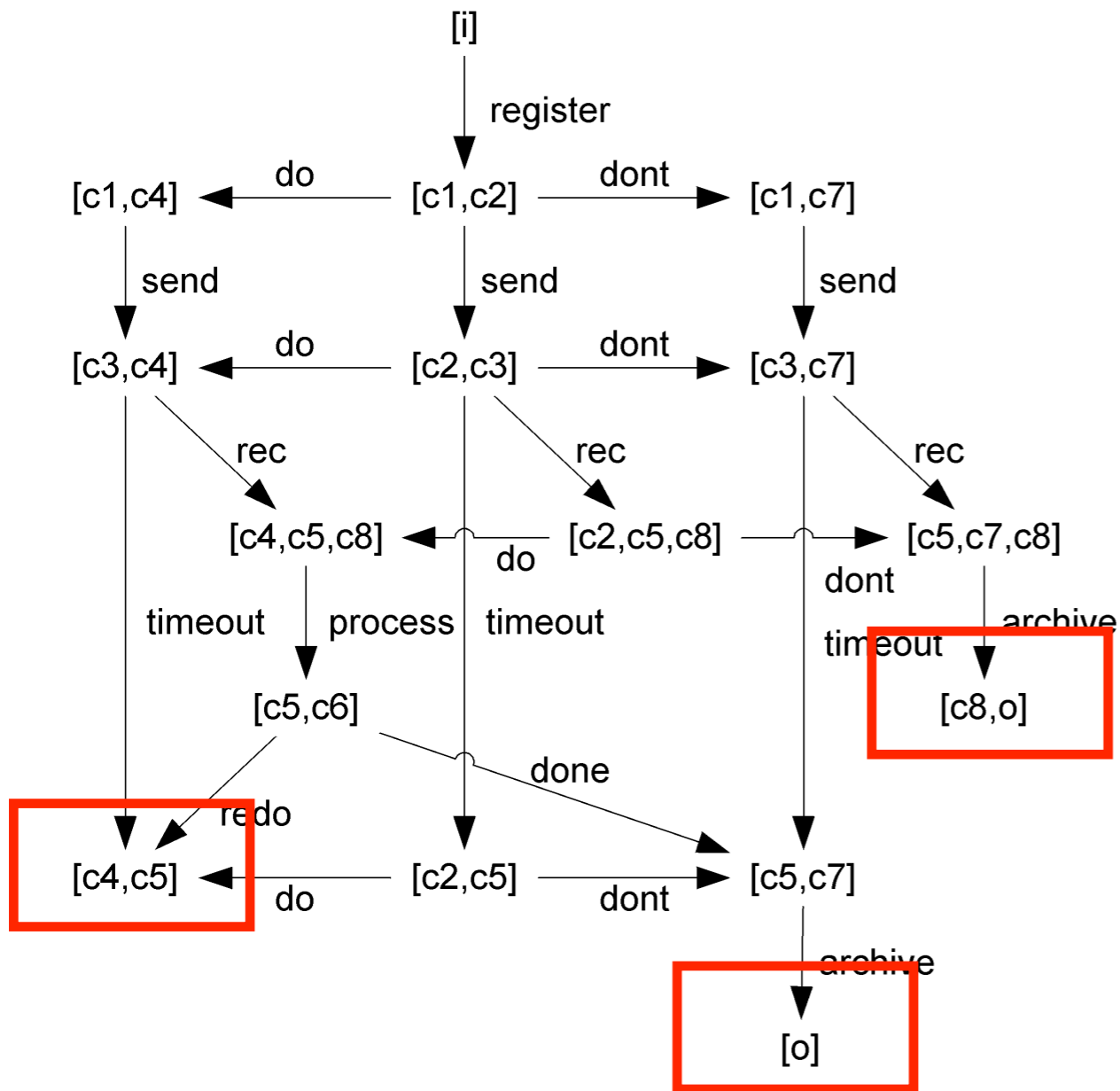
Woflan tells us if N is a sound workflow net
(Is N a workflow net? Is N^* bounded? Is N^* live?)
if not, provides some diagnostic information

Running example

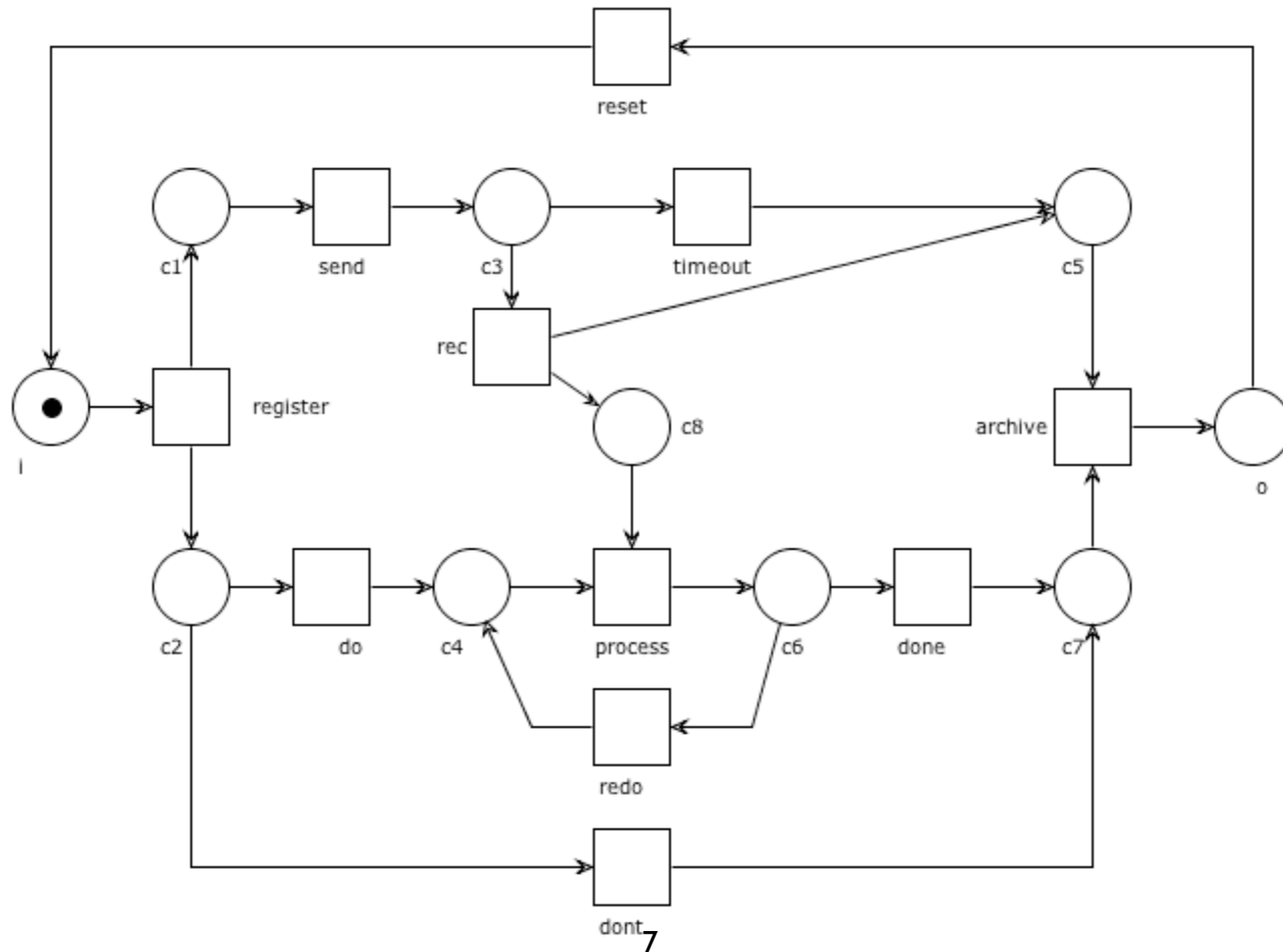


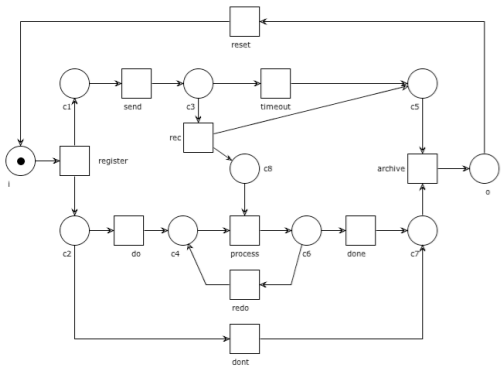


Running example

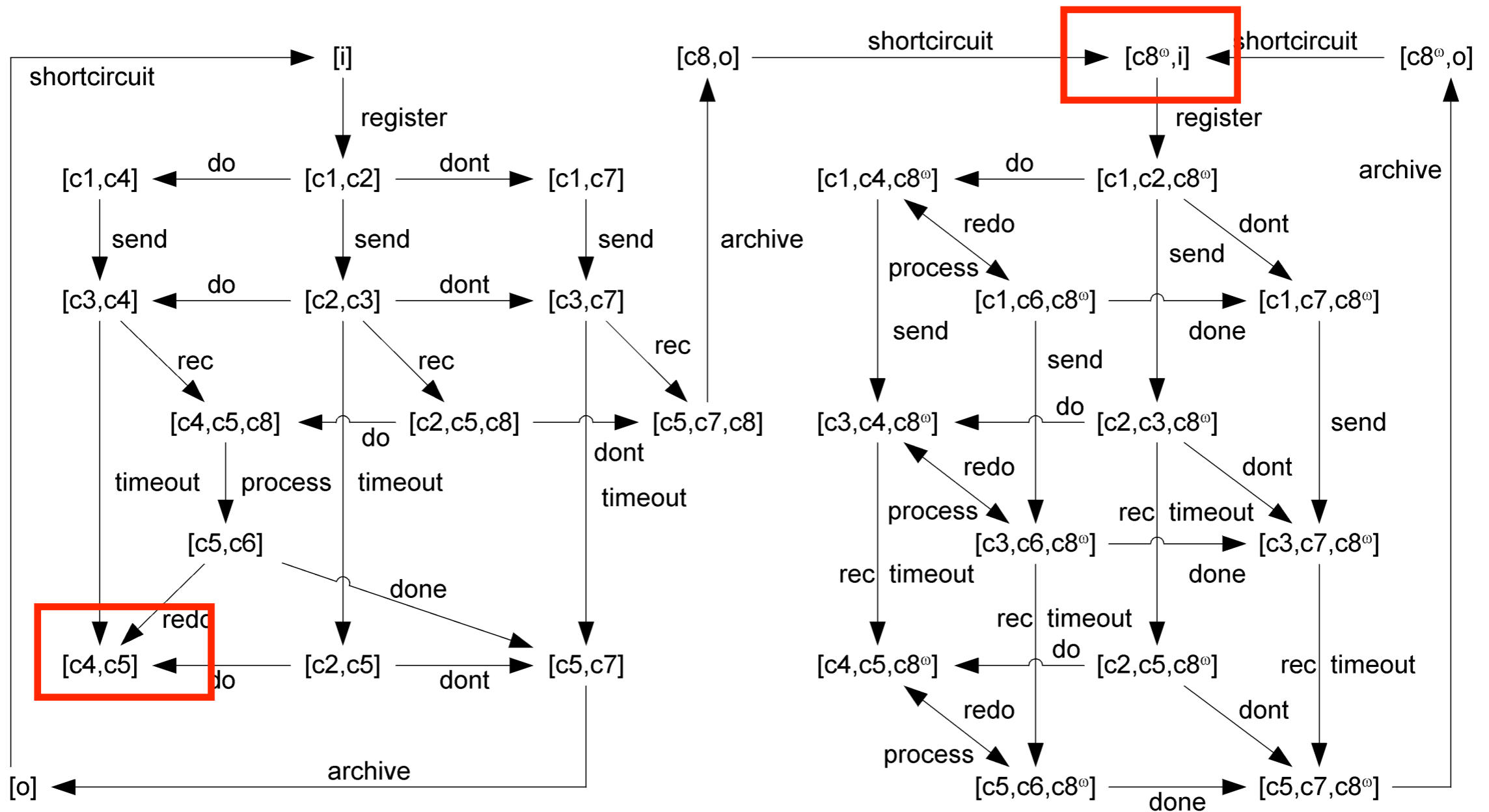


Running example: short-circuited





Running example: short-circuited



Structural analysis

S-Invariant analysis

If every place of N^* is covered by a
semi-positive S-invariant
then N^* is bounded

**Places not covered by semi-positive S-invariants
are potential sources of errors**

S-Coverability analysis

A case is often composed by parallel threads of control
(each thread imposing some order over its tasks)

The notion of S-coverability allows to reveal such threads

Quick reminder

A **subnet** $N' = (P', T', F')$ of $N = (P, T, F)$ consists of:

- a subset $P' \subseteq P$ of places
- a subset $T' \subseteq T$ of transitions
- the subset $F \cap ((P' \times T') \cup (T' \times P')) \subseteq F$ of arcs

An **S-component** is a subnet $N' = (P', T', F')$ of N that:

- is a strongly-connected S-net ($\forall t \in T'. |\bullet t| = |t \bullet| = 1$)
- for any $p \in P'$ we have $\bullet p \cup p \bullet \subseteq T'$

Quick reminder

In a S -component,
the total number of tokens in its places is constant

Any S -component
induces a uniform invariant (weights 0 and 1)

A net is **S -coverable** iff
any $p \in P$ belongs to some S -component

S -coverability implies boundedness
(because it induces a positive S -invariant)

S-Coverability vs Soundness

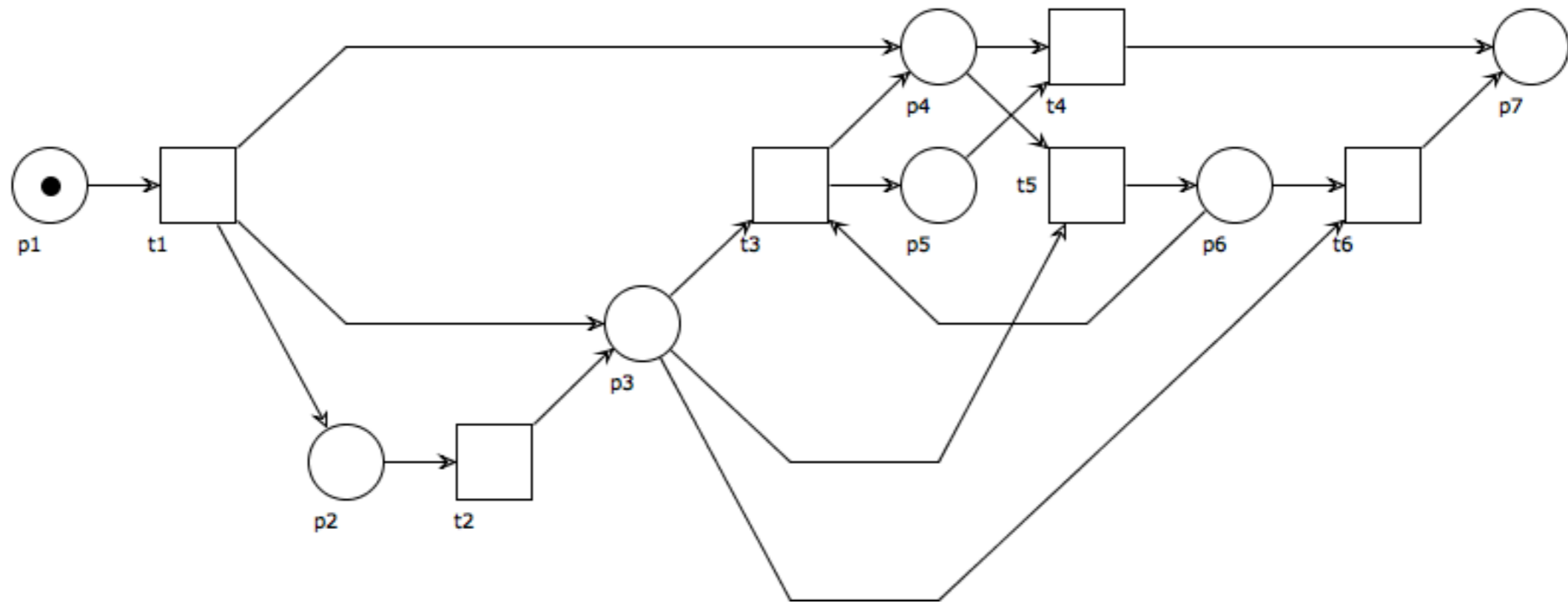
S-coverability is one of the basic requirements any workflow process definition should satisfy

Still:

there exists WF-nets which are S-coverable but not sound

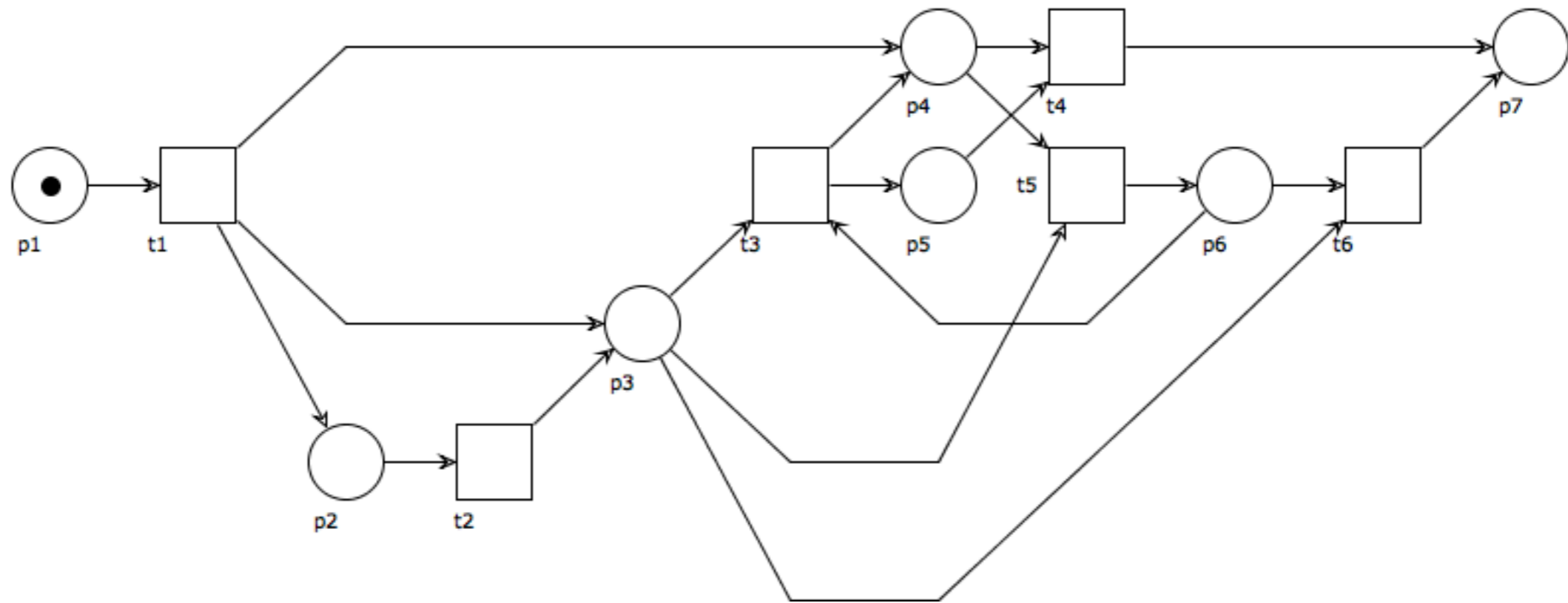
there exists WF-nets which are sound but not S-coverable

Example: sound but not S -coverable



Exercises

Find all (maximal) S-components using WoPeD



Exercises

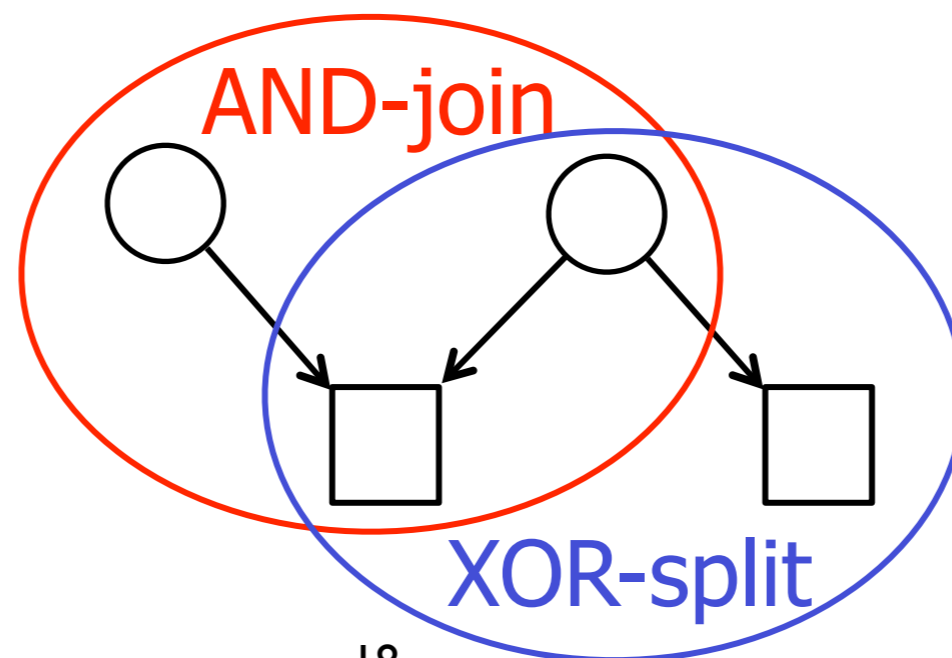
Draw a workflow net that is S-coverable but not sound

Quick reminder

Recall that a net is **free choice** if for any two transitions t_1 and t_2 then either $\bullet t_1 = \bullet t_2$ or $\bullet t_1 \cap \bullet t_2 = \emptyset$

Non free-choice:

two tasks share some but not all preconditions like a XOR-split that overlaps with an AND-join



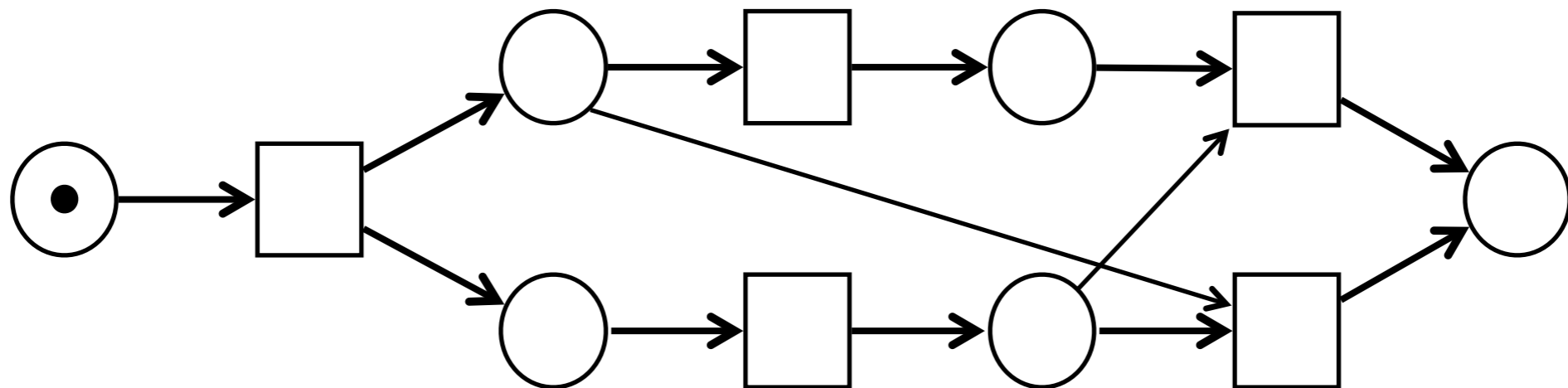
Free-Choice vs Soundness

Note that free-choice is orthogonal to soundness:

there exists WF-nets that are free-choice but not sound

there exists WF-nets that are sound but not free-choice

Example: sound but not free-choice



Exercise

Draw a workflow net that is free-choice but not sound

S-Coverability diagnosis

A net which is free-choice, live, and bounded must be S-coverable (S-coverability theorem)

If N^* is free-choice, live and bounded must be S-coverable

Corollary: If N is sound and free-choice, then N^* must be S-coverable

N free-choice + N^* not S-coverable $\Rightarrow N$ not sound

S-Coverability diagnosis

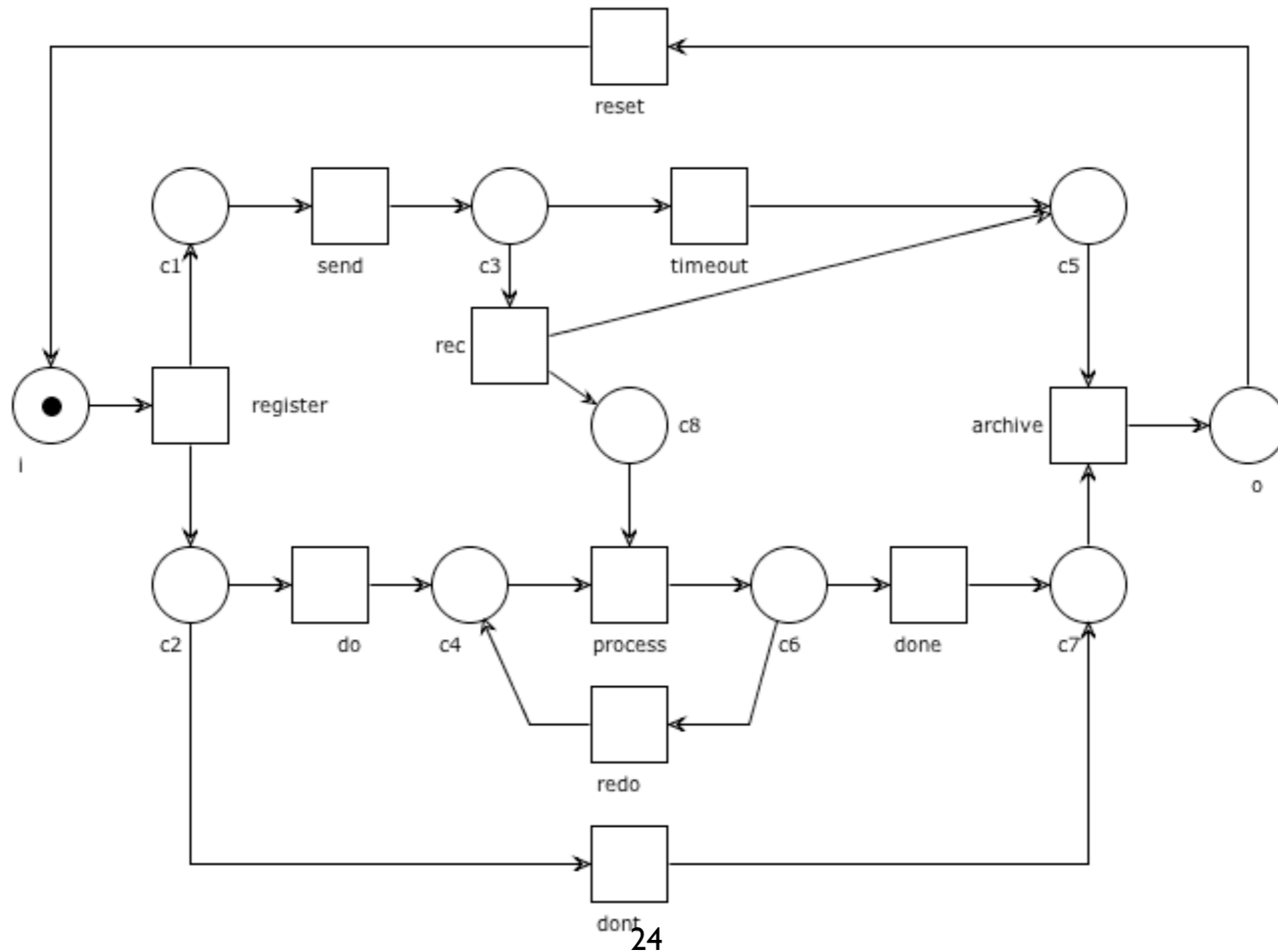
Any S-component of N^* includes i, o, reset
(by strong-connectedness)

**Places that are not covered by S-component
are potential sources of errors**

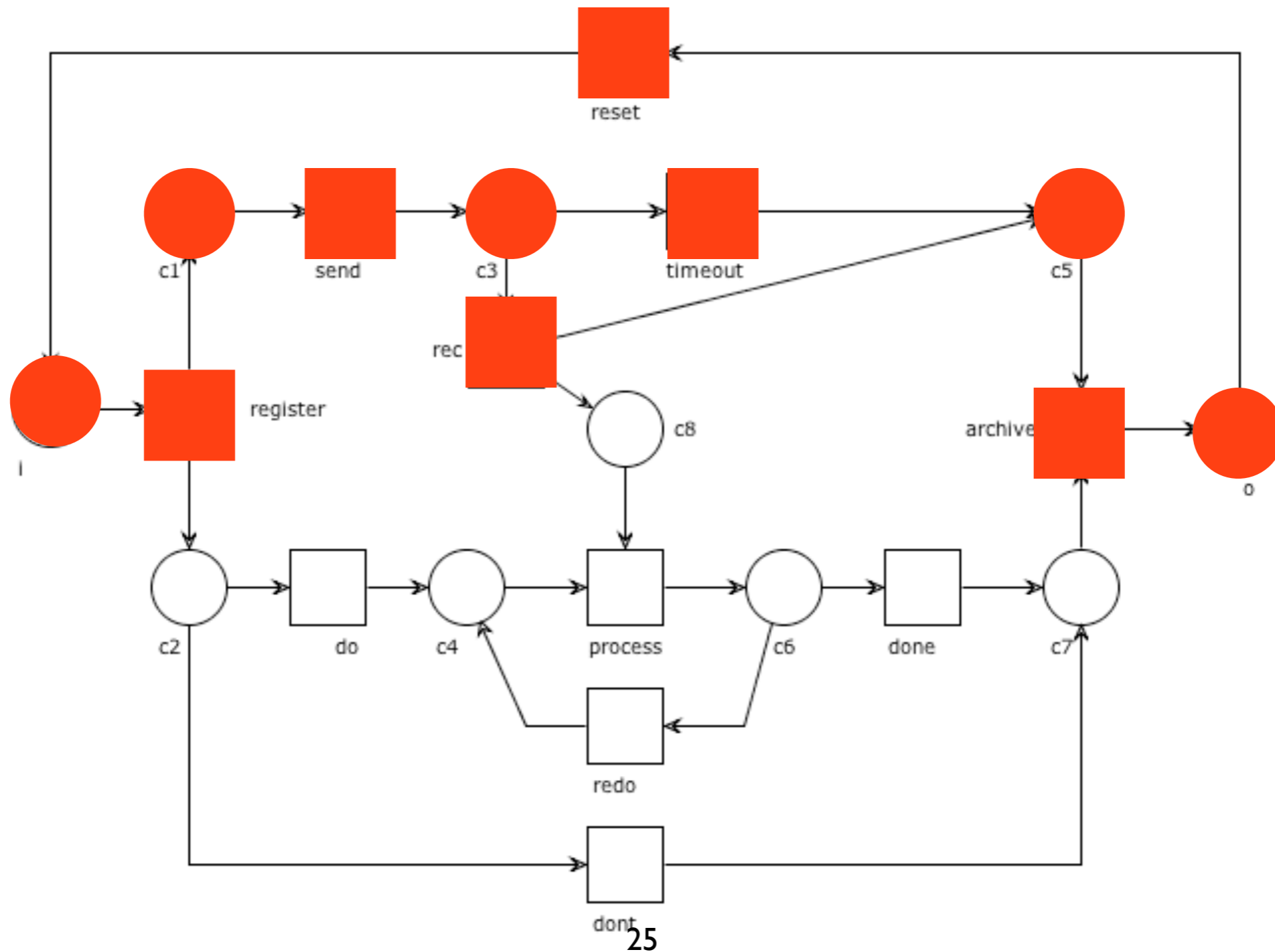
S-coverability is not a sufficient requirement for soundness

N^* can be S-coverable even if N is not sound

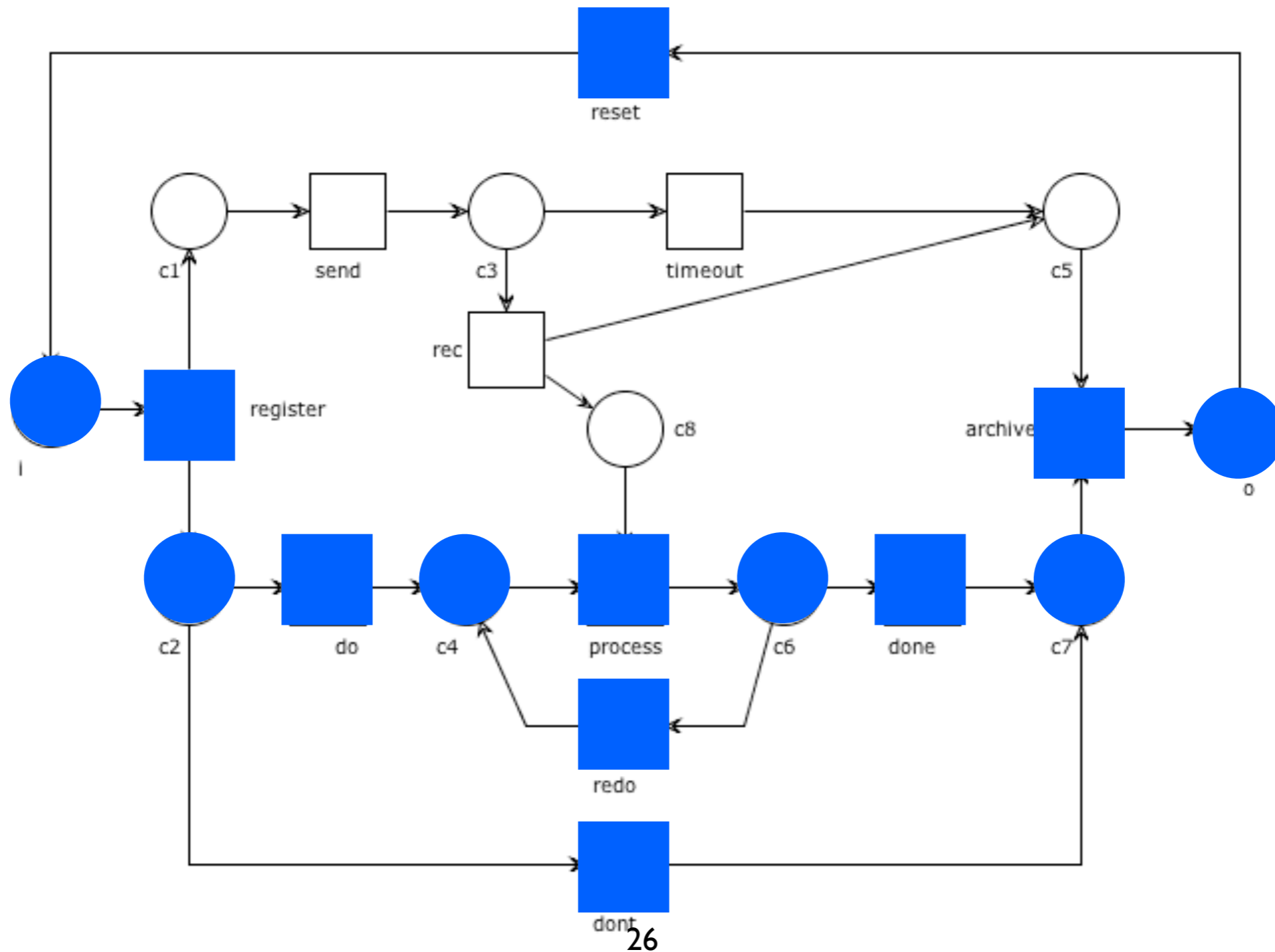
Running example: S-cover for N^* ?



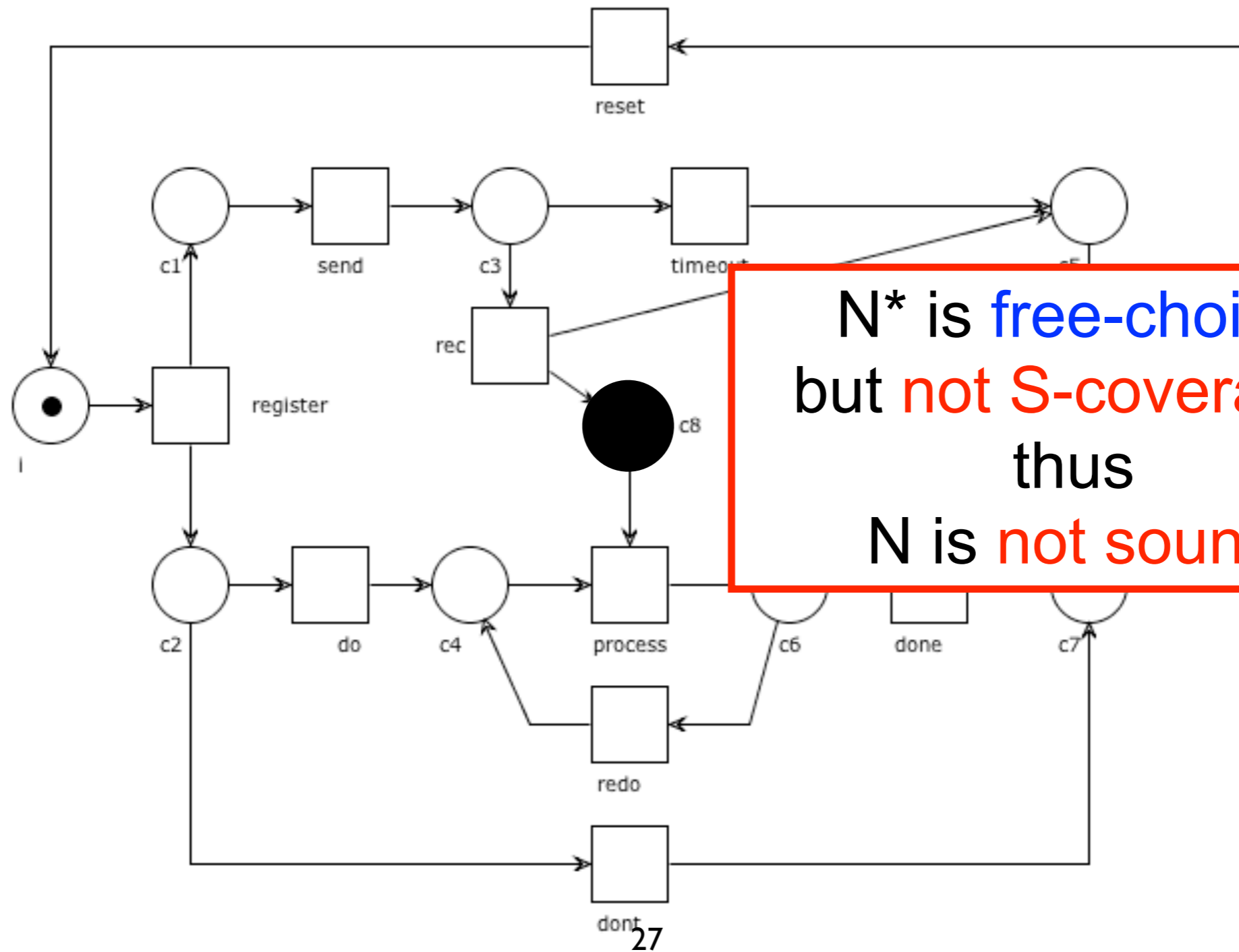
Running example: S-cover for N^* ?



Running example: S-cover for N^*



Running example: S-cover for N^* ? No



N^* is free-choice
but not S-coverable
thus
 N is not sound

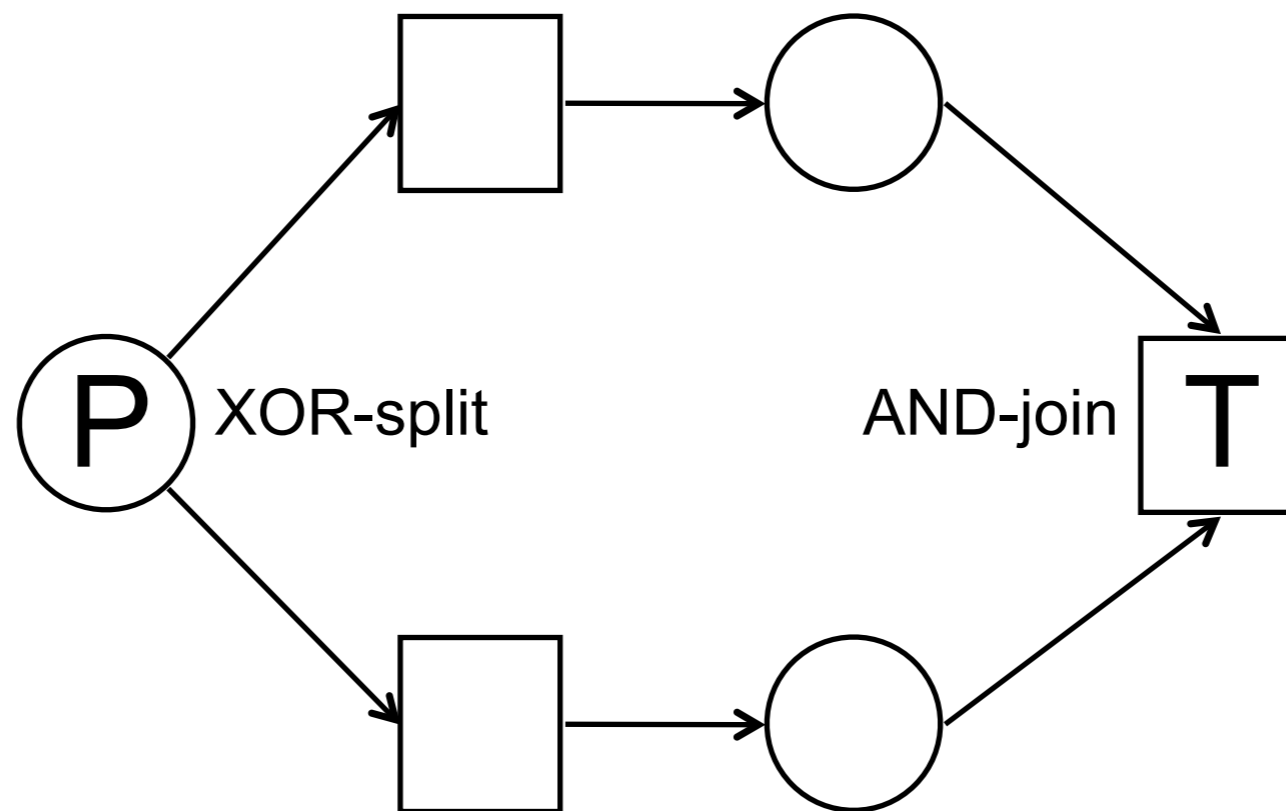
Split / Join Balancing

A good workflow design is characterized by a balance between AND/XOR-split and AND/XOR-joins

Any mismatch is a potential source of errors

PT-handles

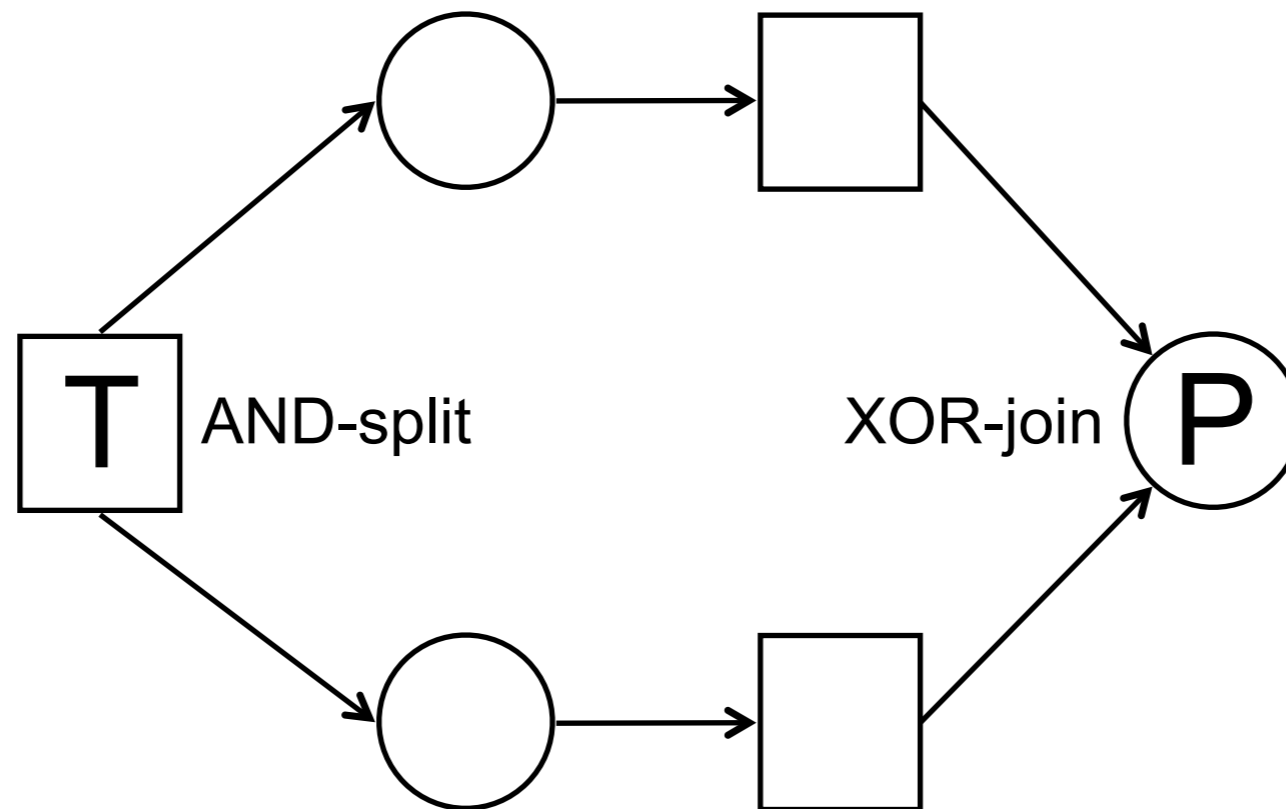
Two alternative flows created via a XOR-split
should not be synchronized by an AND-join
(the net could deadlock)



TP-handles

Two parallel flows initiated by an AND-split
should not be joined by a XOR-join

(multiple tokens can be produced in the same place)



TP- and PT-handles

Definition: A transition t and a place p form a **TP-handle** if there are two distinct elementary paths c_1 and c_2 from t to p such that the only nodes they have in common are t, p

Definition: A place p and a transition t form a **PT-handle** if there are two distinct elementary paths c_1 and c_2 from p to t such that the only nodes they have in common are p, t

Well-Structured Nets

A net is **well-handled** iff it has:
no PT-handles and no TP-handles

Definition: A net is **well-handled** iff
for any pair of nodes x and y of different kinds
(one place and one transition)
any two elementary paths c_1 and c_2 from x to y
coincide or have some other nodes in common apart x, y

Definition: A workflow net N is said **well-structured**
if N^* is well-handled

S-coverability diagnosis

Theorem:

If N is sound and well-structured, then N^* is S-coverable
(proof omitted)

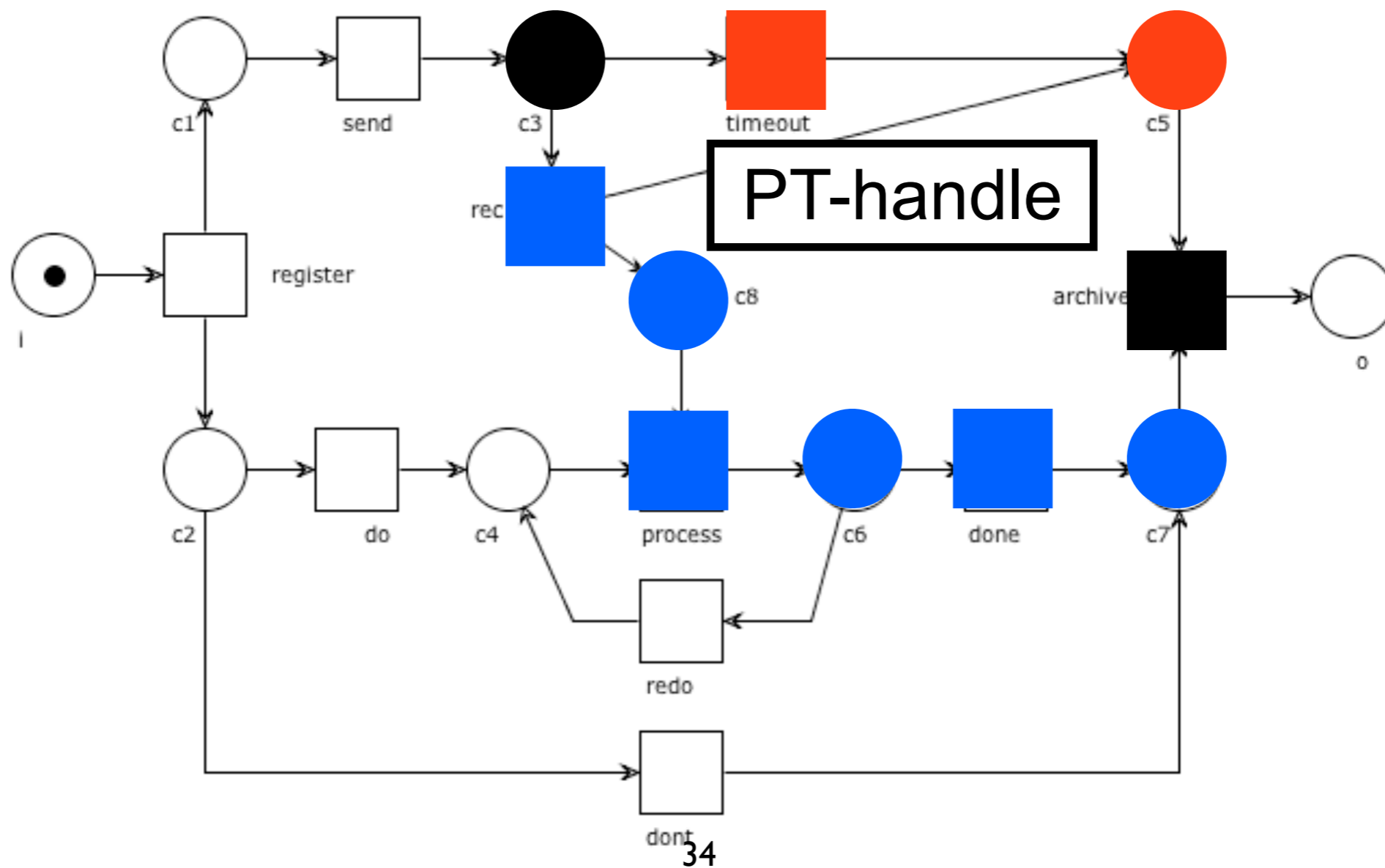
N well-structured + N^* not S-coverable \Rightarrow N not sound

Note that

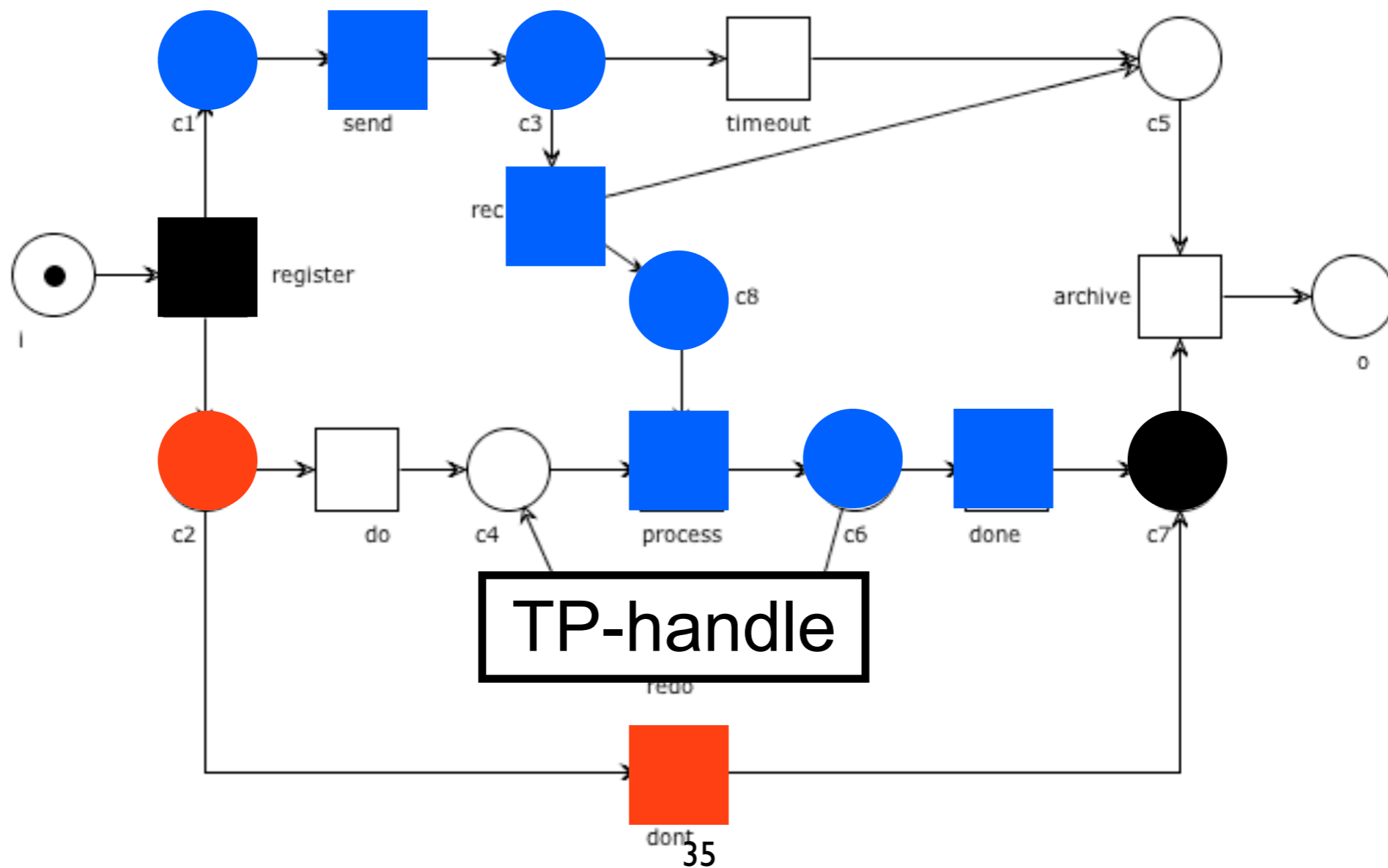
If N^* is not well-handled, N can be sound

especially if reset is involved in the handle
(it is a symptom, not a disease)

Running example: Well-structured? No



Running example: Well-structured? No



Running Example: WoPeD Diagnosis

The screenshot displays the WoPeD tool interface for a Petri net model named 'wfnet-unsound.pnml'. The main window shows a Petri net with 10 places (c1-c8) and 10 transitions (register, send, rec, timeout, do, process, redo, dont, done, archive). The initial marking is at place c1. The analysis sidebar on the right provides a detailed diagnosis:

- Qualitative analysis
 - Structural analysis
 - Net statistics
 - Wrongly used operators: 0
 - Free-choice violations: 0
 - S-Components
 - S-Components: 2
 - S-Component: 13
 - S-Component: 10
 - Places not covered by S-Component: 1
 - c8
 - Wellstructuredness
 - PT-Handles: 4
 - TP-Handles: 5
 - Soundness
 - Workflow net property: ✓
 - Initial marking: ✓
 - Boundedness
 - Unbounded places: 1
 - Liveness
 - Dead transitions: 0
 - Non-live transitions: 10

At the bottom of the interface, the status bar shows: Places: 10 Transitions: 10 Subprocesses: 0 Modeling direction: horizontal. The page number 36 is centered at the bottom, and the bottom right corner indicates Zoom: 100% and Not saved.

Be careful

N well-structured = N* well-handled

WoPeD marks PT/TP-handles over N*

Liveness and boundedness

VS

Soundness requirements

Improper completion

Suppose N completes improperly:
from i we can reach $i+M$

We can do the same on N^*
then we fire reset and reach $i+M$

we can repeat the same run and reach $i+2M$
and then $i+3M$ and then $i+4M$ and then ... $i+kM$

N^* has some unbounded places
(all p such that $M(p) > 0$)

Unsoundness from unboundedness

Improper completion of N implies unboundeness of N^*

Symptom: N^* has some unbounded places

Disease: N could complete improperly...

Unsoundness from unboundedness

**If N has some unbounded places
then N^* has some unbounded places**

Symptom: N^* has some unbounded places

**Disease: N could complete improperly
or may violate “option to complete”**

Consequences of boundedness

If N^* is bounded, then:
if $o+M$ is reachable from i in N , then $M=0$

**If N^* is bounded, then
either N satisfies both
option to complete and proper completion
or N does not satisfy option to complete**

Completion option failure

Suppose N does not satisfy the “option to complete”:
then from i we can reach M
from which we cannot mark o

We can do the same on N^*
then reset is dead from M
i.e. reset is non-live in N^*

N^* has non-live transitions (including reset)

Unsoundness from non-liveness

Option to complete fail for N implies non-liveness of N^*

Symptom: reset transition is non-live in N^*

Disease: N could violate option to complete

Unsoundness from Non-Liveness

If N^* is bounded and has dead transitions, then

if reset is dead

N and N^* have the same finite reachability graph

hence N has the same dead tasks as N^*

(except reset)

if reset is not dead

the reachability graphs of N and N^* differ only for $o \xrightarrow{\text{reset}} i$

(because N^* is bounded)

hence N has the same dead tasks as N^*

Unsoundness from Non-Liveness

Symptom: N^* is bounded and has dead transitions

Disease: N has the same dead tasks as N^*

Unsoundness from Non-Liveness

Symptom: N^* has non-live transitions

Disease: N could have dead transitions

(but which ones?)

Error sequences

Diagnostic information

The sets of:
unbounded places of N^*
dead transitions of N^*
non-live transitions of N^*

may provide useful information for
the diagnosis of behavioural errors
(pointing to different types of errors)

Unfortunately, this information is not always sufficient
to determine the exact cause of the error

Behavioural error sequences can overcome this problem

Error sequences

Rationale:

We want to find firing sequences such that:

every continuation of such sequences will lead to an error

they have minimal length
(none of its prefixes satisfies the above property)

Informally:

error sequences are scenarios that capture the essence of errors made in the workflow design (violate “option to complete” or “proper completion”)

Non-Live sequences: informally

A **non-live sequence** is a firing sequence of **minimal length** such that completion of the case is no longer possible
i.e. a witness for transition reset being non-live in N^*

Non-Live sequences: fundamental property

Let N be such that:
 N^* is bounded
 N (or equivalently N^*) has no dead task

Then, N^* is live
iff
 N has no non-live sequences

Non-Live sequences: graphically

The analysis is possible in bounded systems only

Compute the RG of N^*

Color in **red** all nodes from which there is **no path** to o

Color in **green** all nodes from which **all paths** lead to o

Color in **yellow** all remaining nodes
(some but not all paths lead to o)

Non-Live sequences: remarks

No **red** node implies no **yellow** node

No **green** node implies no **yellow** node

Non-Live sequences: formally

Definition:

An occurrence sequence

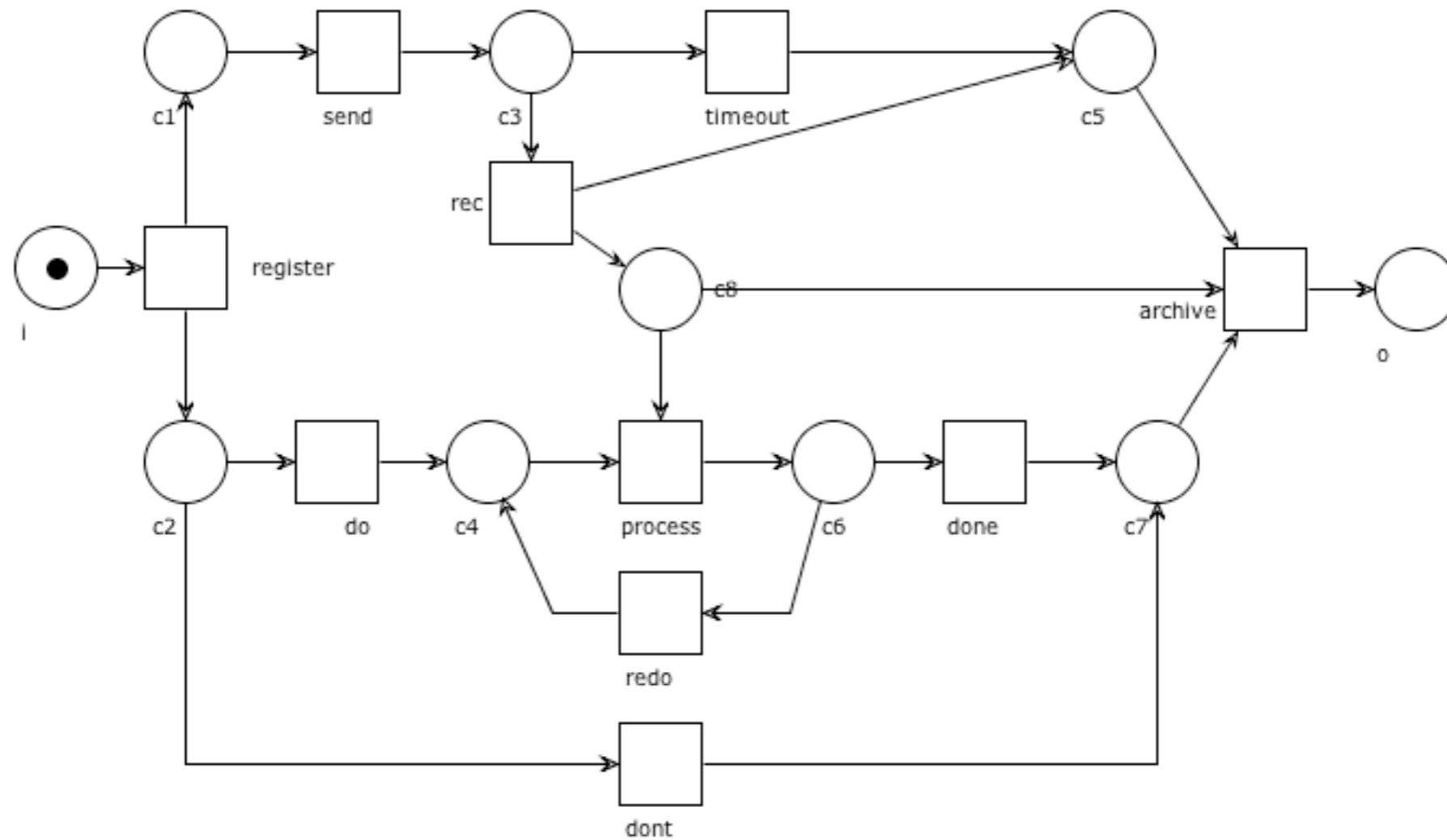
$i \xrightarrow{t_1} M_1 \dots M_{k-1} \xrightarrow{t_k} M_k$ is **non-live** if

- all markings are distinct
- M_{k-1} is yellow
- M_k is red

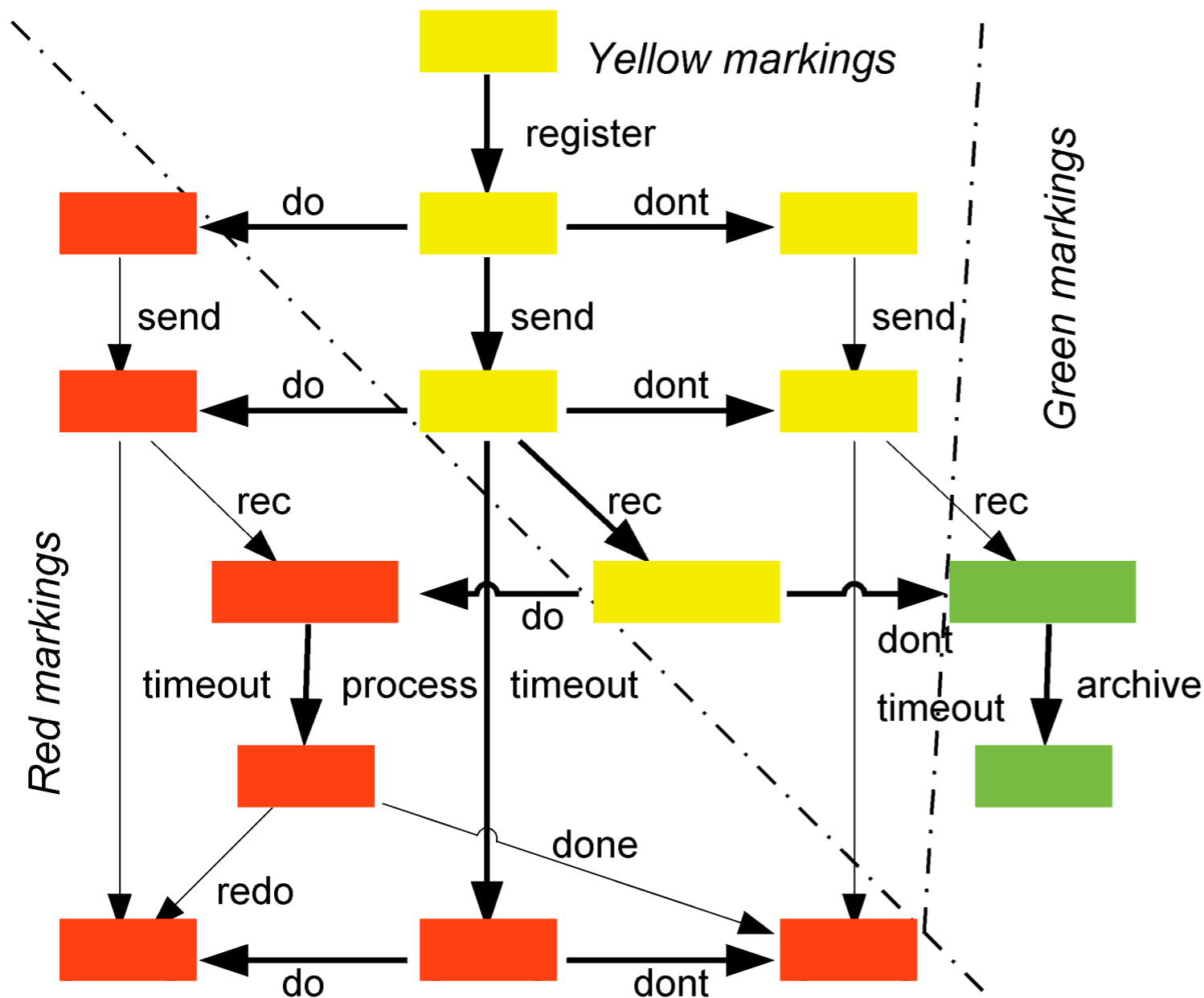
Firing t_k removes
the option to complete!

Then, the firing sequence $t_1 \dots t_k$ is also called **non-live**

Running example: slight variant



Running example variant: colored RG



register, do

register, send, do

register, send, timeout

register, send, rec, do

register, send, dont, timeout

and also?

Unbounded sequences: informally

An **unbounded sequence** is a firing sequence of **minimal length** such that every continuation implies a violation of proper completion
i.e. a witness for unboundedness

Unbounded sequences: fundamental property

N^* is bounded
iff

N has no unbounded sequences

Undesired markings:

infinite-weighted markings or markings greater than 0

Unbounded sequences: graphically

Compute the CG of N^*

Color in **green** all nodes from which
undesired markings are not reachable

Color in **red** all nodes from which
no green marking is reachable
(undesired markings are unavoidable)

Color in **yellow** all remaining nodes
(undesired markings are reachable but avoidable)

Unbounded sequences: remarks

No **red** node implies no **yellow** node

No **green** node implies no **yellow** node

Restricted coverability graph (RCG)

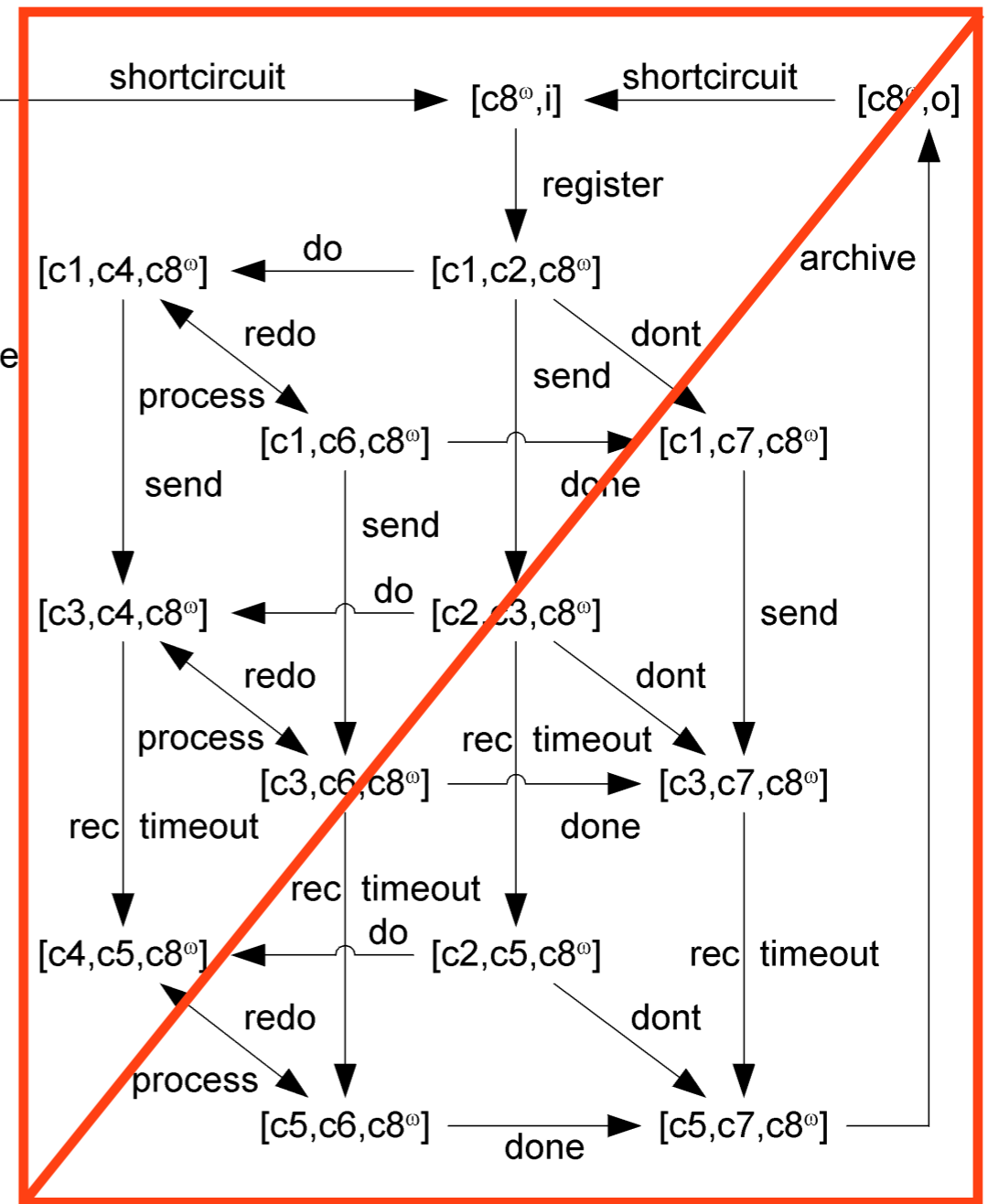
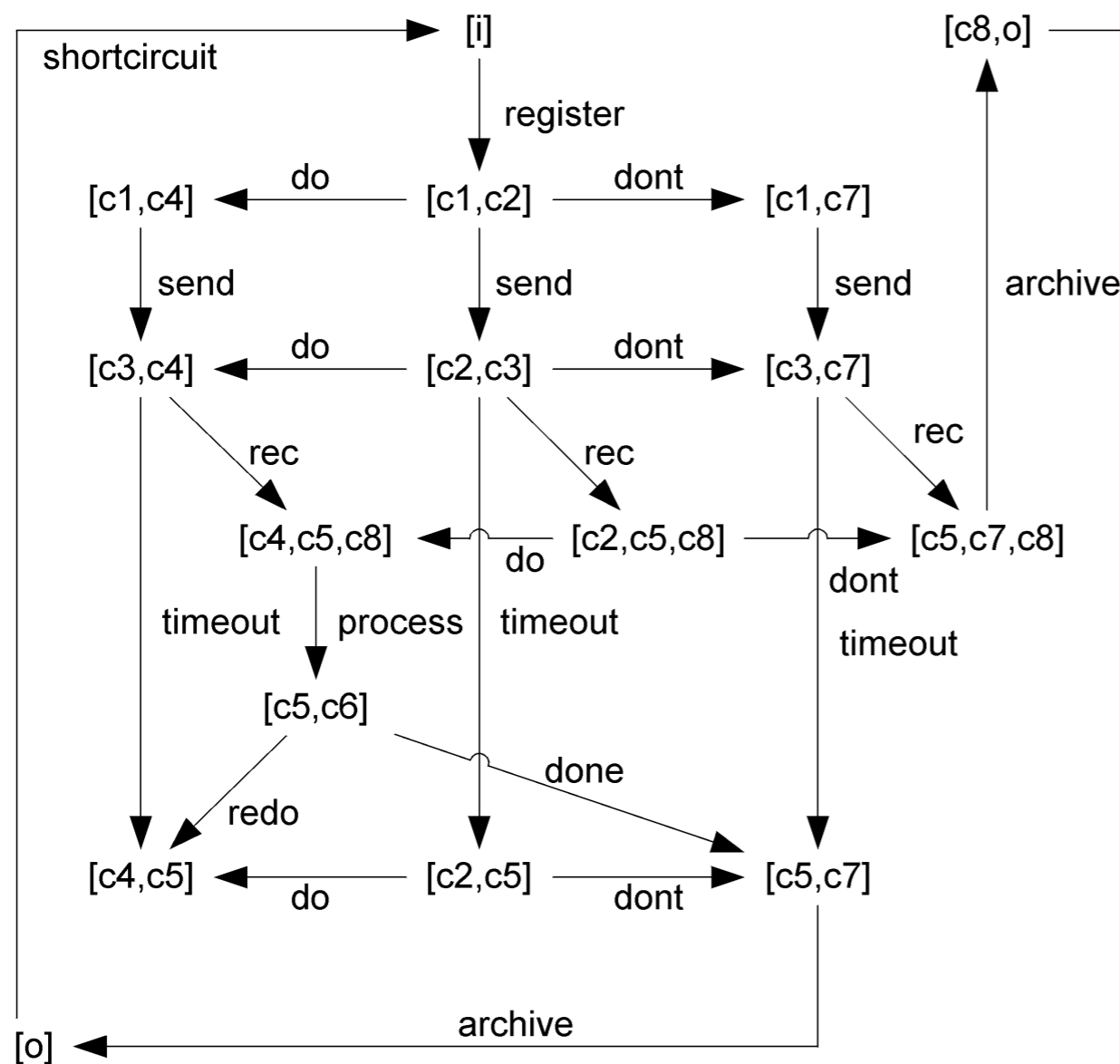
CG can become very large (intractable!)

Basic observation:

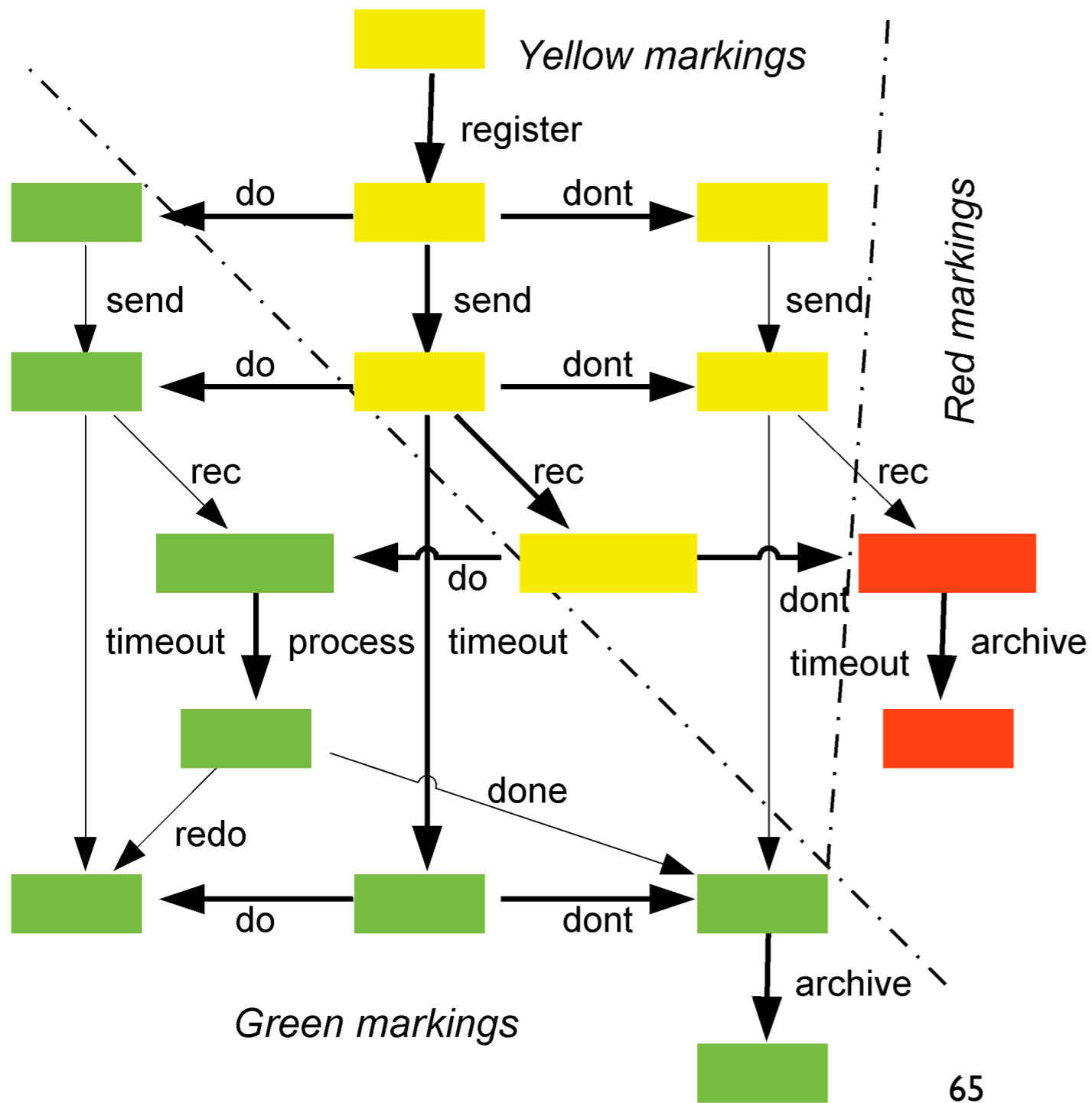
infinite-weighted markings leads to infinite-weighted markings
and they will be all red

We can just avoid computing them!

Running example: RCG vs CG



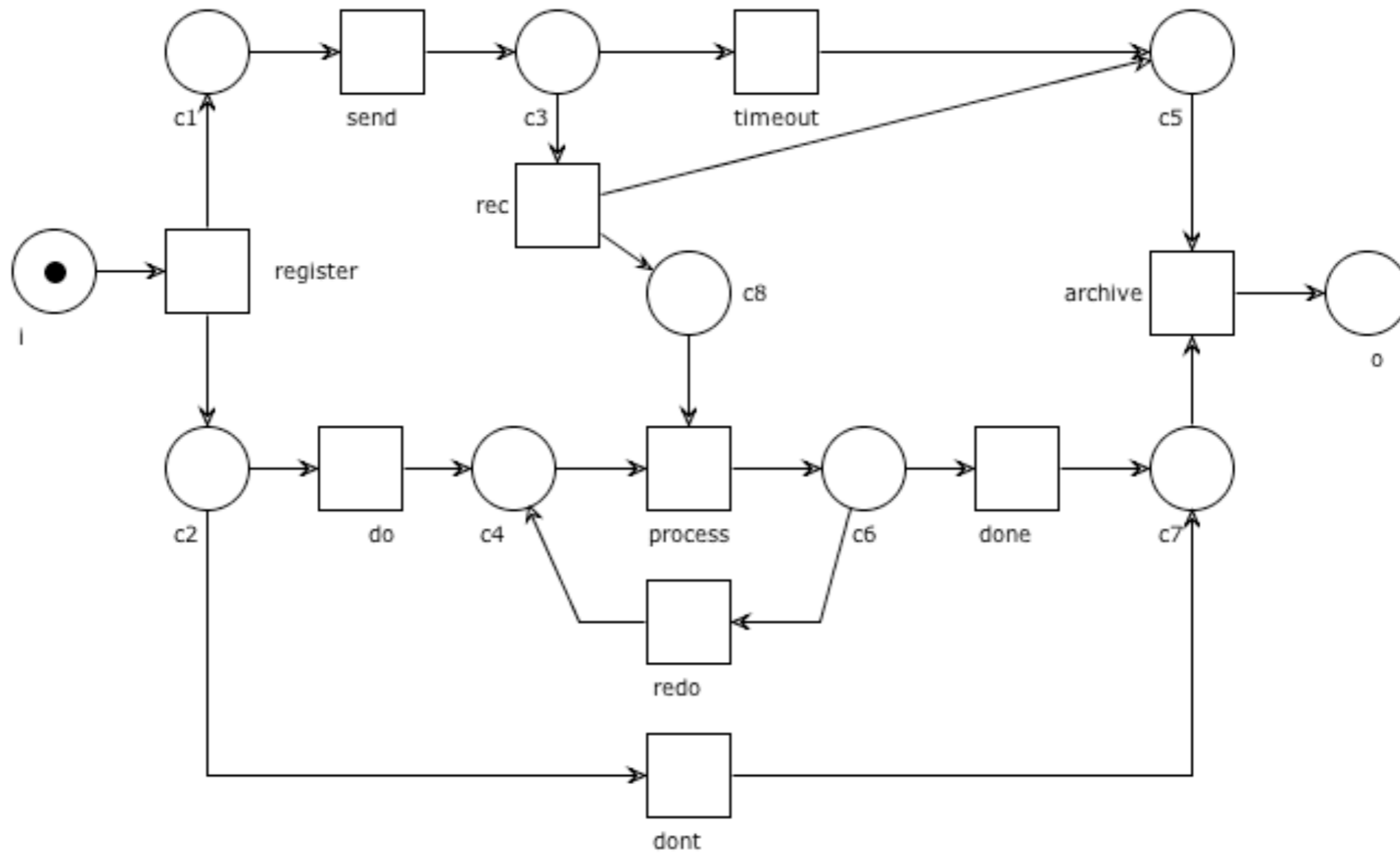
Running example: colored RCG



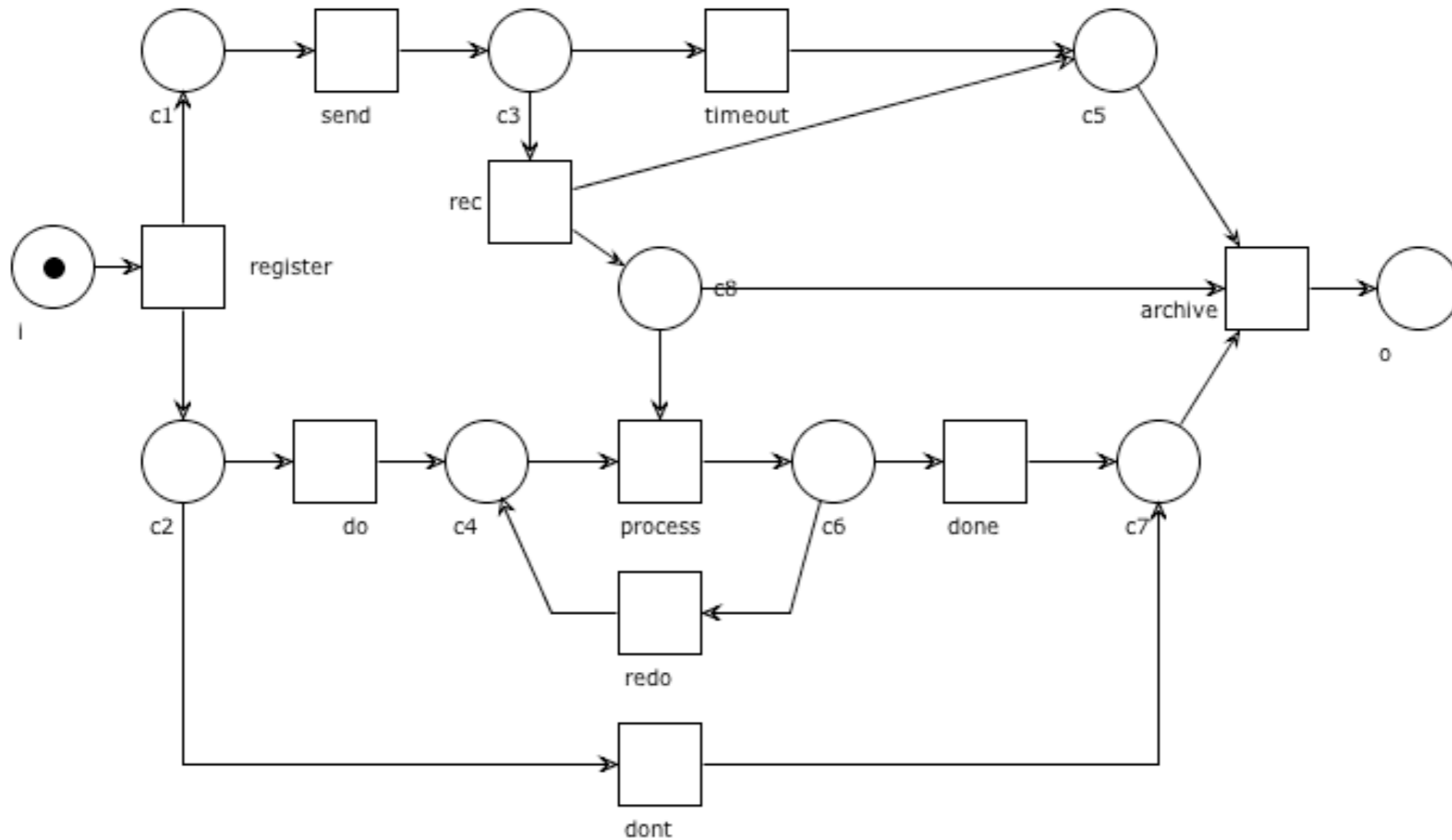
register, dont, send, rec
 register, send, dont, rec
 and also?

Practice with WoPeD (and Woflan)

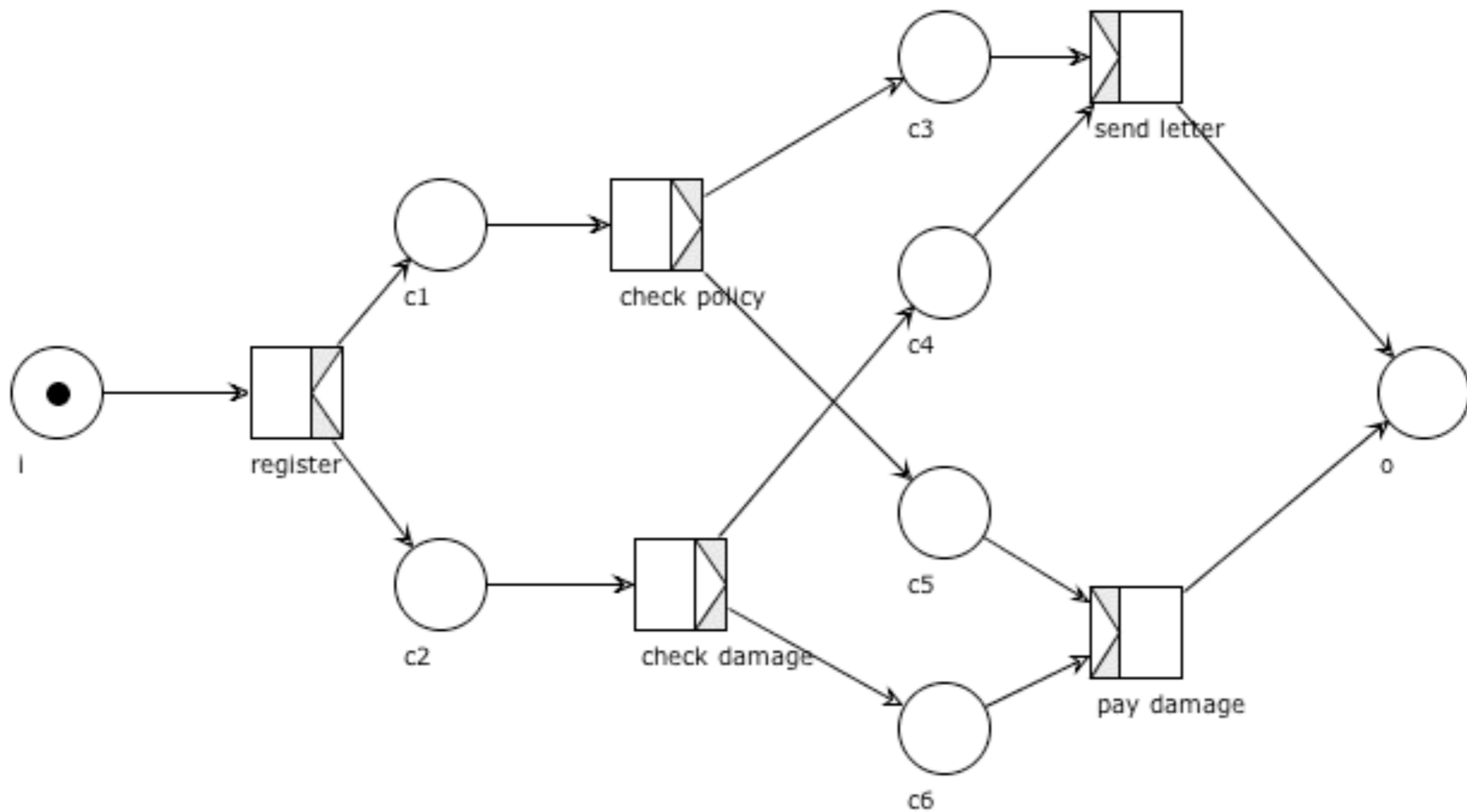
Analyse the running example



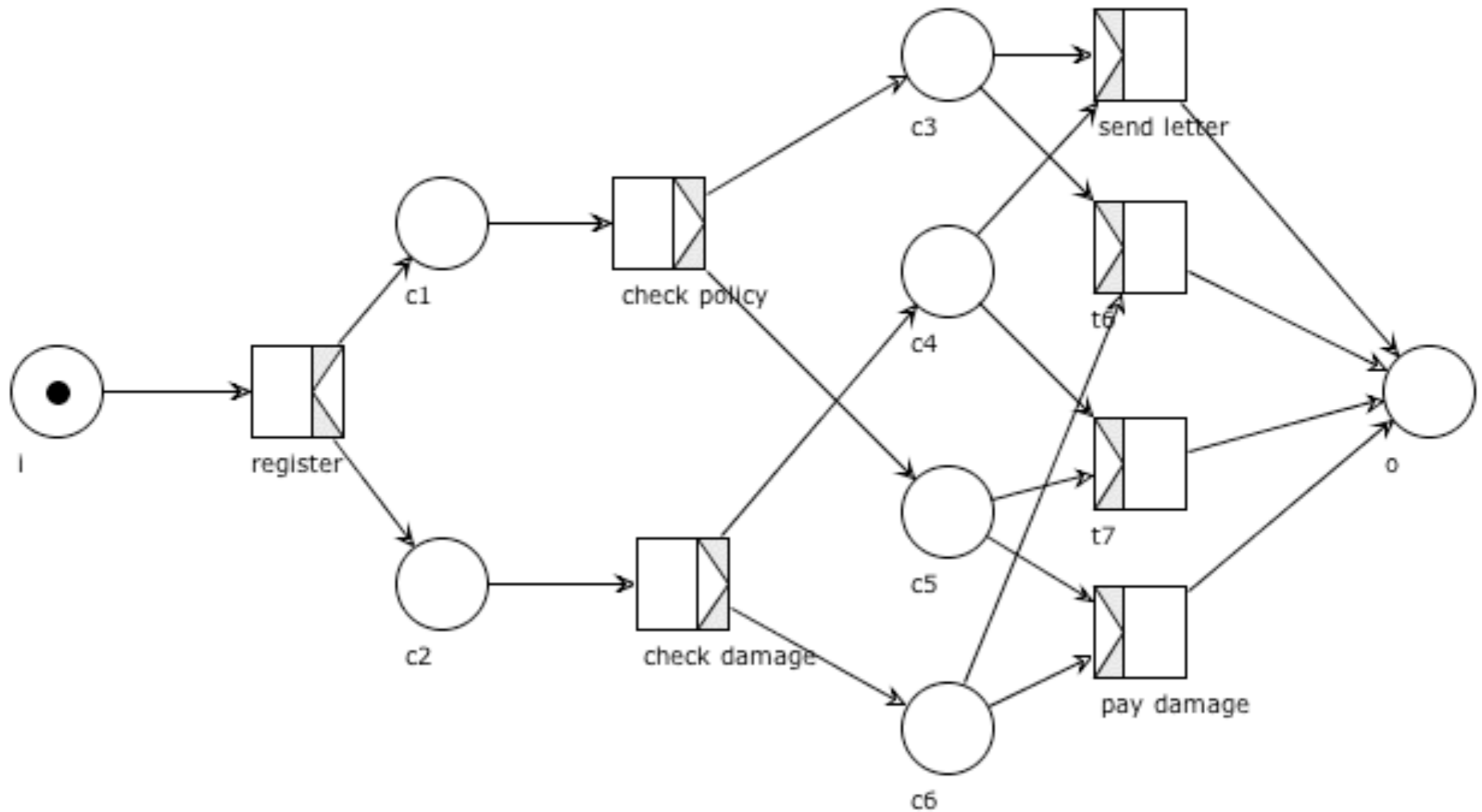
Analyse the running example variant



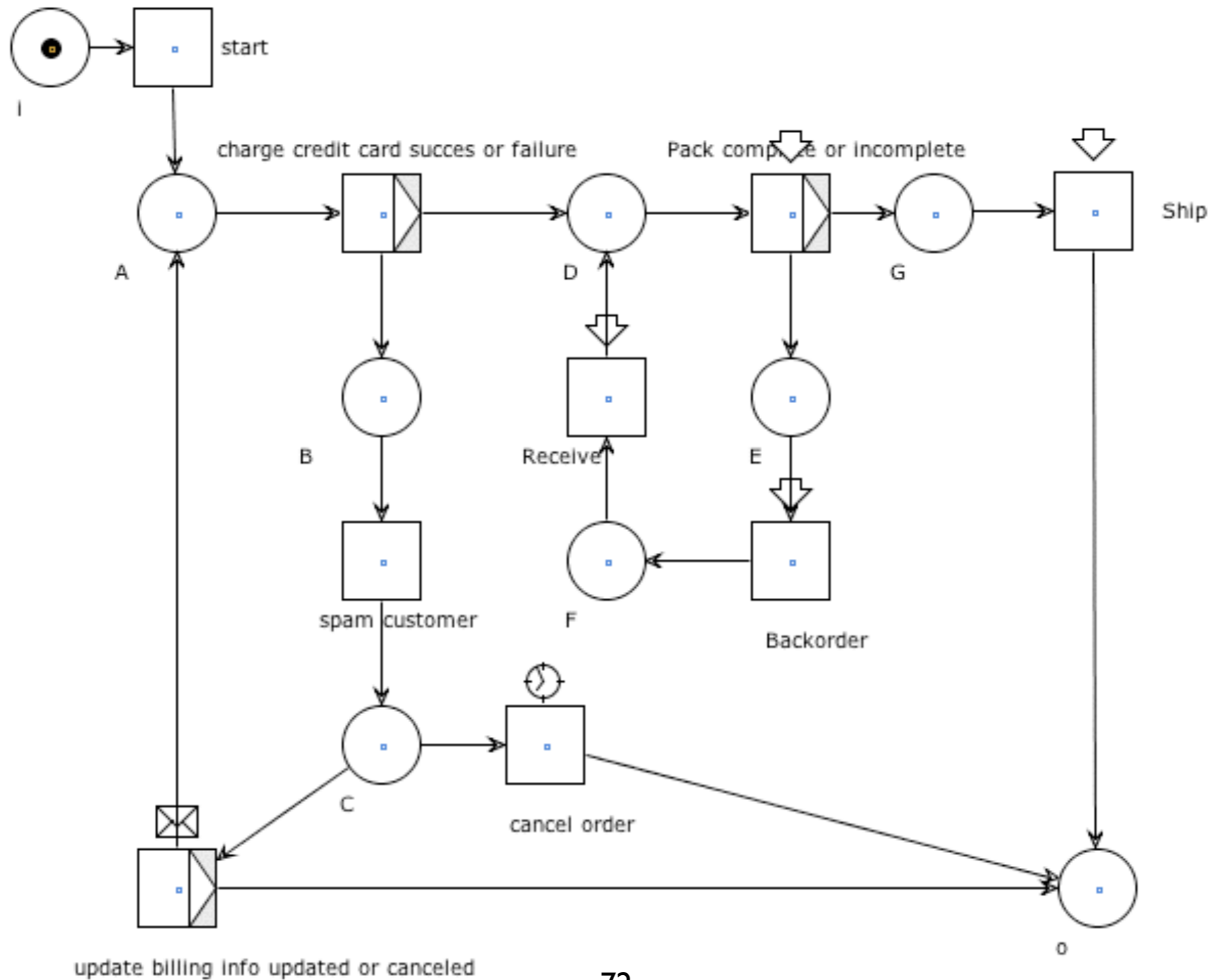
Analyse this net



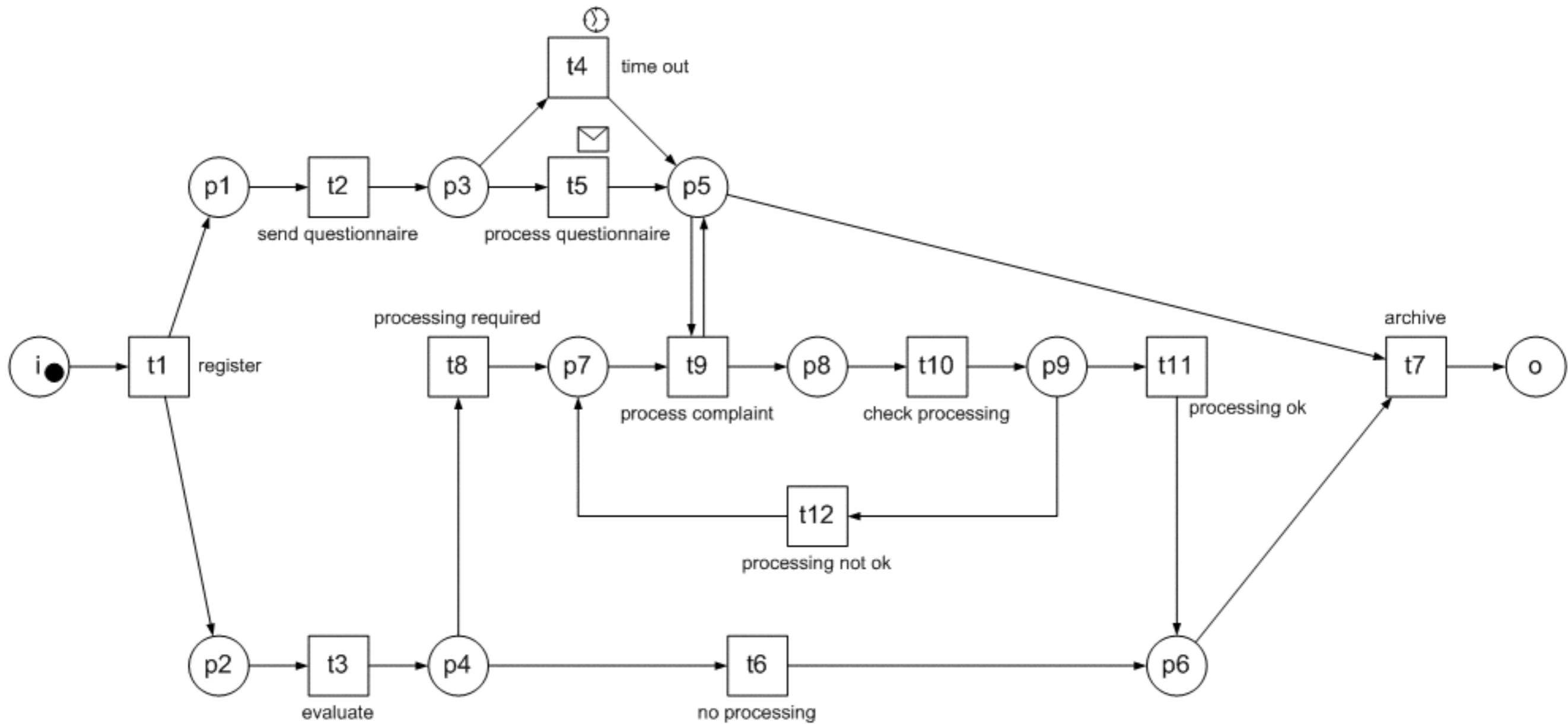
Analyse this net



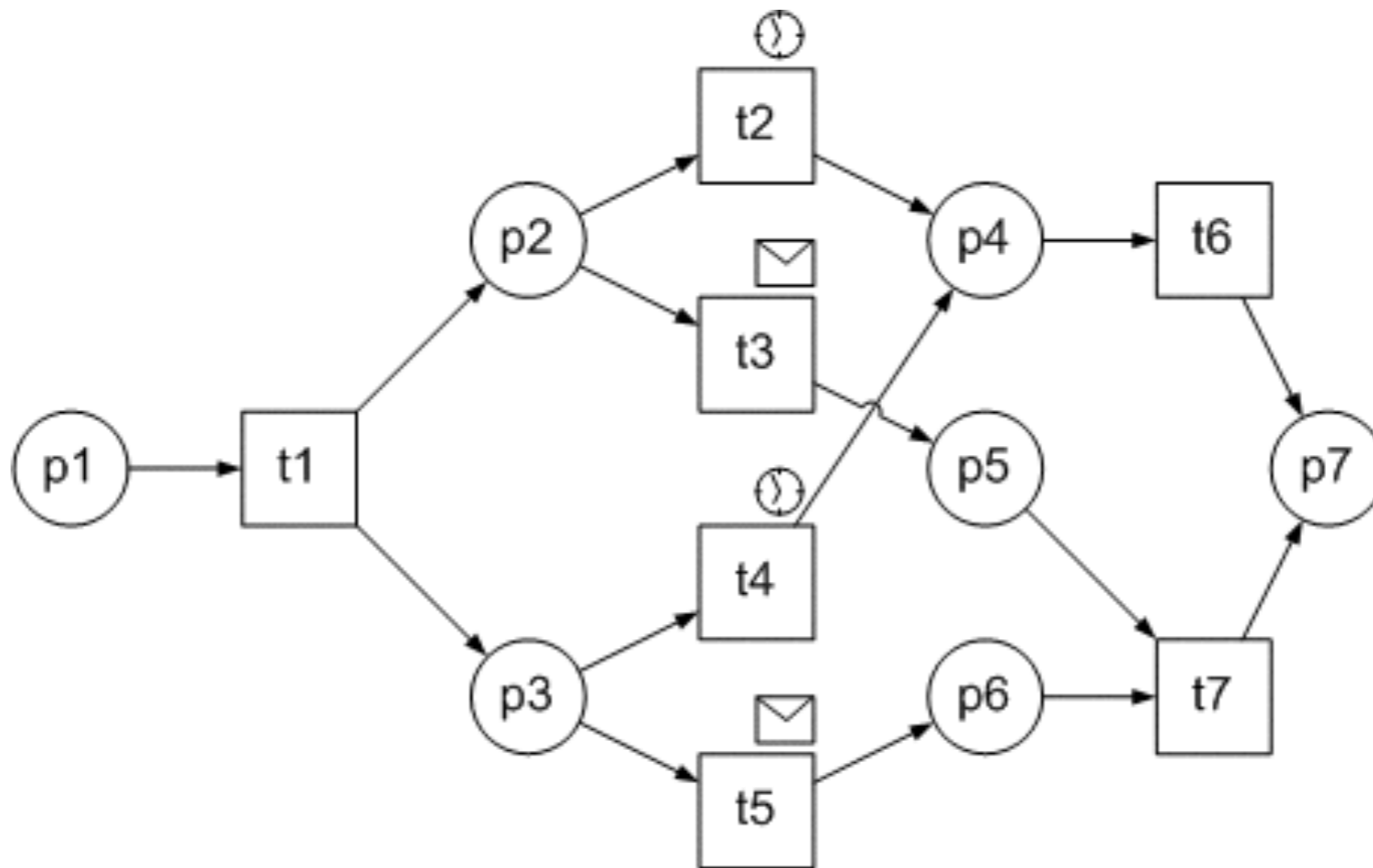
Analyse this net



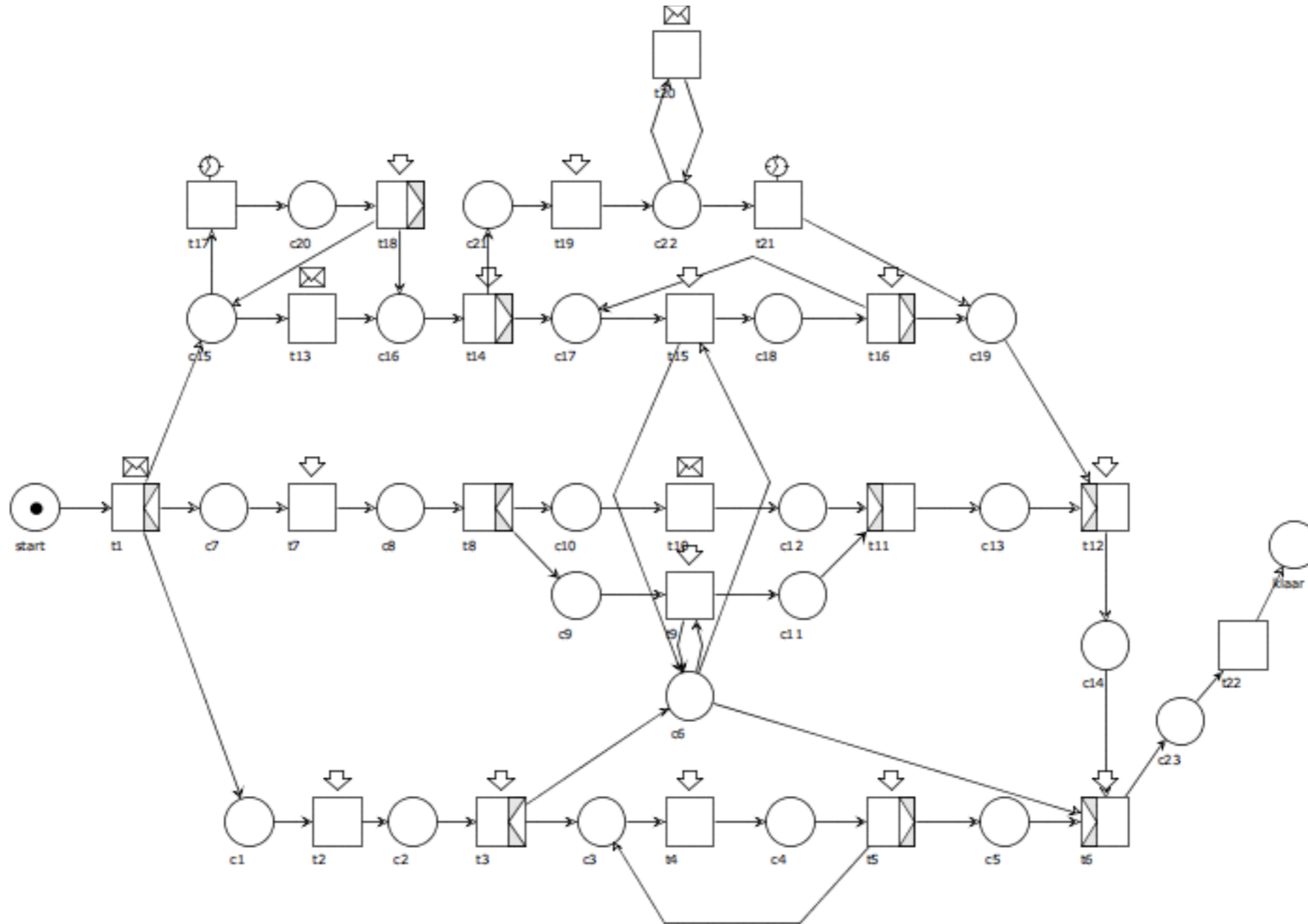
Analyse this net



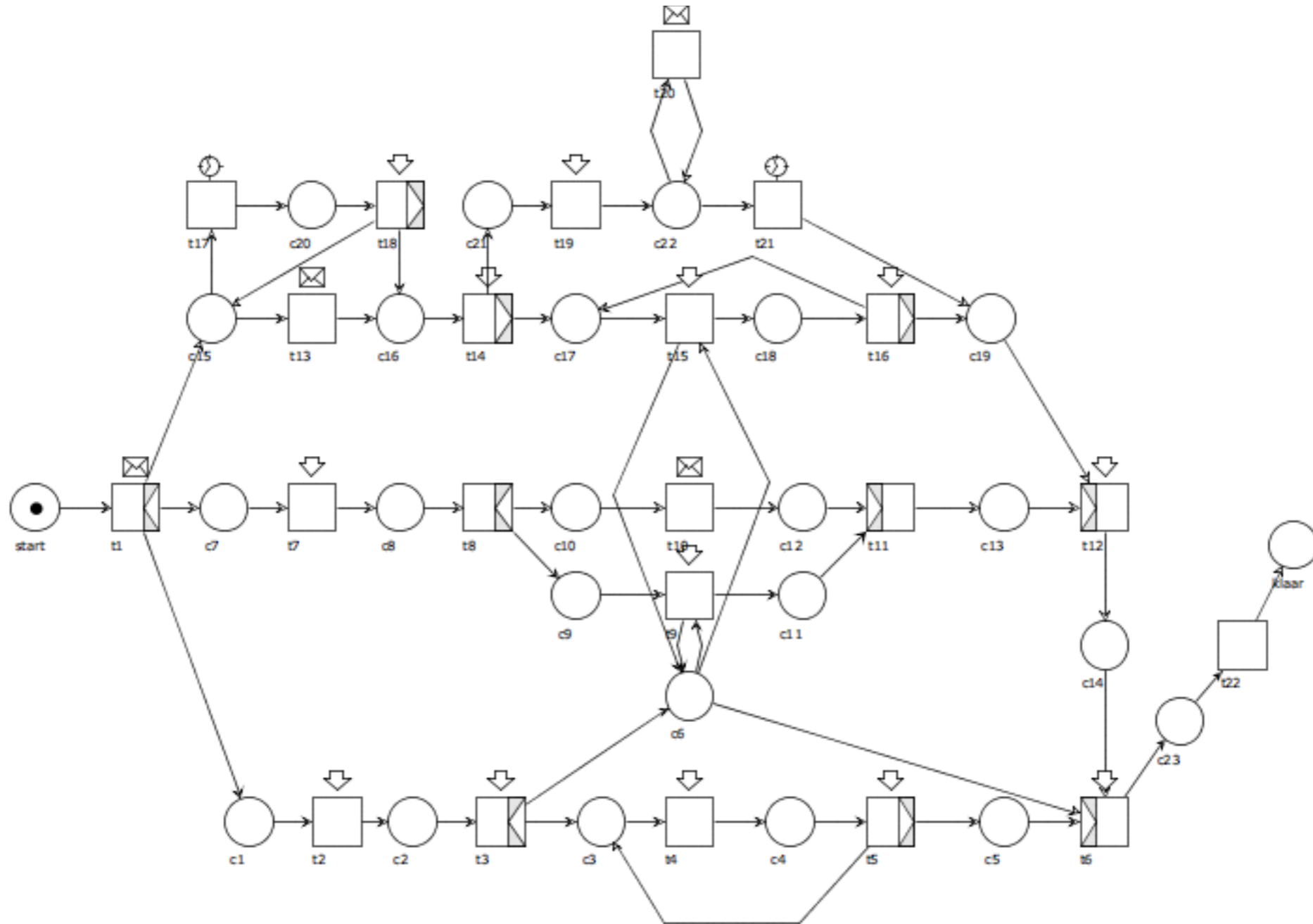
Analyse this net



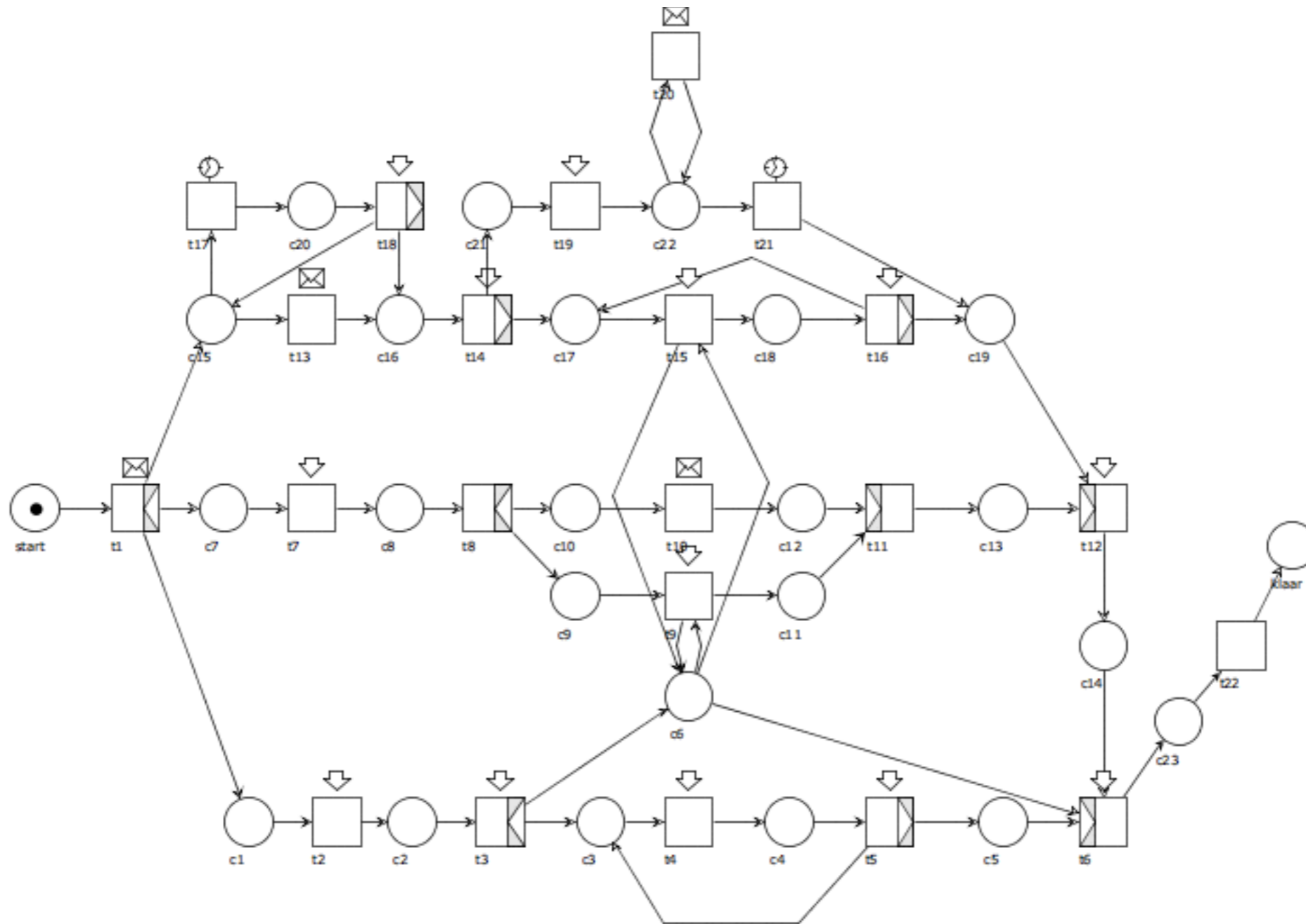
Is this net free-choice?



Is this net S-coverable?



Is this net sound?



Design and analysis of WF-nets

The workflow of a computer repair service (CRS) can be described as follows. A customer brings in a defective computer and the CRS checks the defect and hands out a repair cost calculation back.

If the customer decides that the costs are acceptable, the process continues, otherwise she takes her computer home unrepaired.

The ongoing repair consists of two activities, which are executed, in an arbitrary order.

The first activity is to check and repair the hardware, whereas the second activity checks and configures the software.

After each of these activities, the proper system functionality is tested.

If an error is detected another arbitrary repair activity is executed, otherwise the repair is finished.

Model the described workflow as a sound workflow net.

Design and analysis of WF-nets

A hospital wants to establish a rating workflow for their doctors. To make the workflow reliable two different roles are assigned.

The first one is a referee from the newly created quality assurance department while the second one represents the managing director of the hospital.

Both roles execute all of their tasks independently from each other.

The referee starts a new case regarding a certain doctor by interviewing patients.

Since a patient interview workflow is already established, it is simply integrated in the new workflow.

Meanwhile, the director asks an external expert to review the work of the doctor under rating.

Unfortunately, since the expert only gets a low expenses fee, it can happen that the expert is not responding in time.

If that happens, another expert has to be asked (who could also not respond in time, i.e. the procedure repeats).

If an expert finally sends an expertise, it is received by the director and forwarded to the referee.

The referee files the results containing the patient interviews as well as the expertise and afterward creates a report.

While the referee is doing this, the manager fills a cheque to pay the expenses of the expert.

Model the described workflow as a sound workflow net.